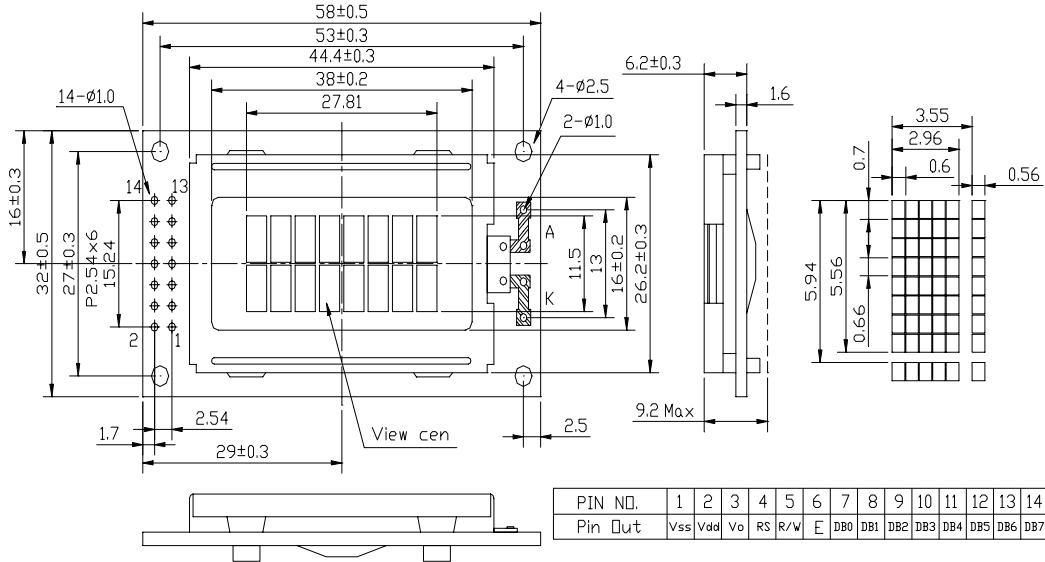


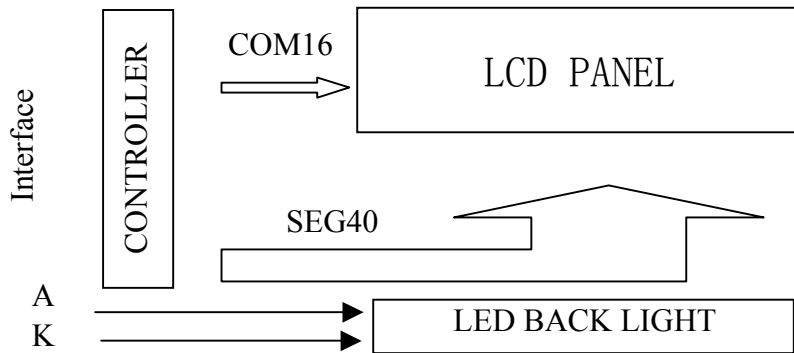
DC0802C

8CH x 2 Lines
1/16Duty, 1/5Bias

1. External Dimension



2. Block Diagram



3. Electrical Characteristics (Ta=25°C, Vdd=5.0V±0.25V)

Item	Symbol	Test Condition	Min.	Typ.	Max.	Unit
Input High Voltage	V _{ih}	-	2.2		V _{dd}	V
Input Low Voltage	V _{il}	-	-0.3		0.6	V
Output High Voltage	V _{oh}	-I _{OH} =0.2mA	2.4			V
Output Low Voltage	V _{ol}	I _{OL} =1.2mA			0.4	V
Supply Current	I _{dd}	V _{dd} =5.0V		2	3	mA
Operating Voltage for LCD	V _{dd} -V ₀	STN		4.7		V
		TN		3.8		V