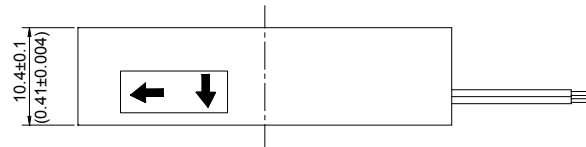
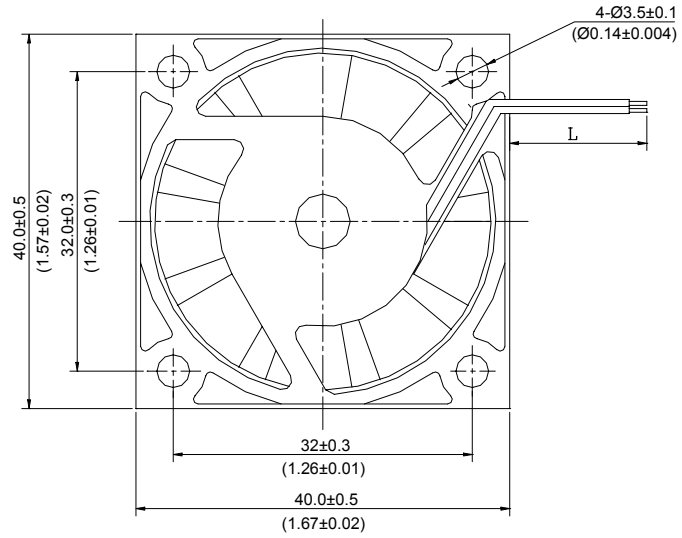


FW4010 DC Series Fan

Fan Well



DC Fan

PERFORMANCE

4.5-6.4 CFM

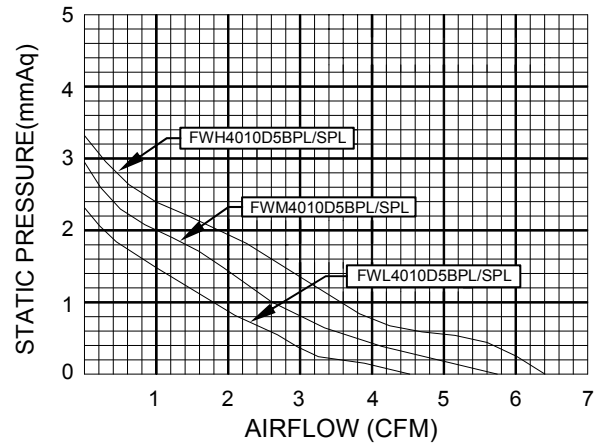
40mm sq. x 10mm (1.57 in sq. x 0.41 in)

FEATURES

- Motor:** Brushless DC with permanent magnet.
- Air Flow:** 4.48-6.40 CFM
- Weight:** 20g (0.70oz)
- Noise (dBA):** 22.5-24.0 dBA
- Housing & Impeller:** Glass filled thermoplastic in black color rated UL94V-0.
- Dielectric Strength:** 500VAC for one minute or 600VAC for 2 seconds between housing and lead wire(+).
- Insulation Resistance:** >500M Ohm between internal stator and lead wire (+) measured by 500VDC.
- Leads:** Two wires, Type UL 1007, +Red/-Black.
- Protection:** Locked rotor protected.
- Bearing System:** Sleeve or ball bearing.
- Standards:** UL, CUL, CE, TUV

Dimensions are in millimeters. () are in inches.
Non-stock items may be subject to lead time.

FAN PERFORMANCE CURVES



MODEL	PART NUMBER	BEARING SYSTEM	VOLTAGE (V/Hz)	STARTUP (V)	CURRENT (A)	SPEED (RPM)	AIR FLOW (CFM)	PRESSURE (mmAq)	NOISE (dBA)	LIFE EXP (Hours)	WEIGHT (g)
FW4010HD5	FWH4010D5BPL FWH4010D5SPPL	Ball Sleeve	5	2	0.16 0.21	6000	6.40	3.31	24.0	50,000 30,000	20
FW4010MD5	FWM4010D5BPL FWM4010D5SPPL	Ball Sleeve	5	2	0.10 0.16	5400	5.76	2.98	23.5	50,000 30,000	20
FW4010LD5	FWL4010D5BPL FWL4010D5SPPL	Ball Sleeve	5	2	0.07 0.11	4200	4.48	2.32	22.5	50,000 30,000	20