

# SMD Tuning Fork Crystal

# C Series



Cylindrical Type (2 x 6mm)

### Features:

- Wide frequency range
- Small size
- Tape & reel
- RoHS Compliant (Pb Free)

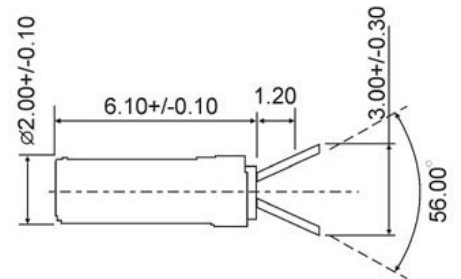
### Applications:

- Microprocessor systems
- Consumer electronics

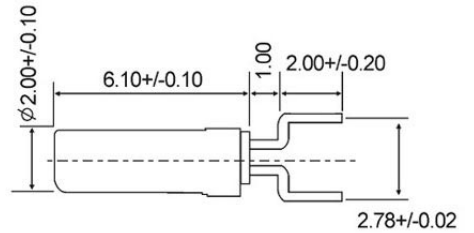


### Electrical Specifications:

Frequency Range	30.000KHz ~ 350.000KHz
Frequency Tolerance	±20ppm, 30ppm, 50ppm or specify
E.S.R.	32KHz ~ 40KHz, 40Kohm max
	40KHz ~ 60KHz, 30Kohm max
	60KHz ~ 70KHz, 25Kohm max
	70KHz ~ 200KHz, 22Kohm max
	200KHz ~ 350KHz, 20Kohm max
Turnover Temperature	25°C ± 5°C
Frequency Temperature Curve	-0.034 (±0.006)ppm/°C <sup>2</sup>
Storage Temperature	-55°C ~ +125°C
Operating Temperature	-10°C ~ +60°C, -20°C ~ +70°C, -40°C ~ +85°C
Shunt Capacitance (C <sub>0</sub> )	2.0pF Typical
Dynamic Capacitance (C <sub>1</sub> )	4.0pF Typical
Drive Level (Typical)	1µW max
Load Capacitance (C <sub>L</sub> )	6.0pF ~ 12.5pF or specify
Aging at 25°C 1st year (max)	±3ppm, ±5ppm / year



CA Type



CB Type

### Part Numbering System:

**CA — 32.000 A X 2**  
 ①            ②            ③            ④            ⑤

① Series

CA
CB

② Frequency

Frequency
ex. 16.000

③ Load Capacitance CL

Code	Load Capacitance
A	6pF
B	12.5pF
Specify	

④ Operating Temperature

Code	Ranges
A	-10°C ~ +60°C
B	-20°C ~ +70°C
X	-40°C ~ +85°C

⑤ Frequency Tolerance

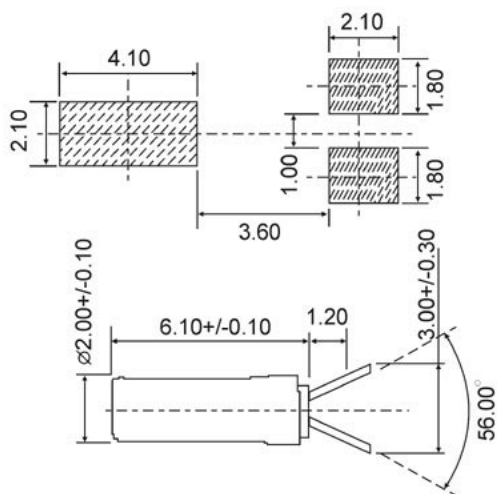
Code	Tolerance
1	± 10 ppm
2	± 20 ppm
3	± 30 ppm

**Remark:** Specifications are subject to change without prior notice. Please confirm with our sales engineer.

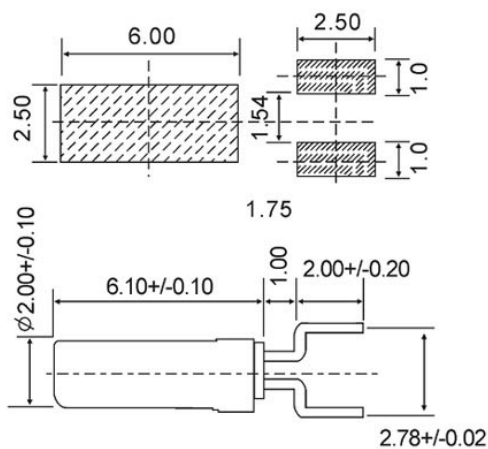
Cylindrical Type (2 x 6mm)

**Dimensions:**

**CA Type**



**CB Type**



**Tape**

