

VCXO SMD Voltage Controlled Crystal Oscillator S4 Series

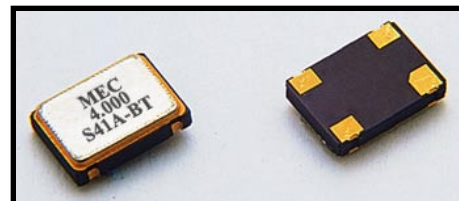
Seam sealed ceramic 7 x 5 x 1.6mm voltage control

VCXO (4 Pads)



Features:

- Ultra small SMD type
- High precision characteristics covering up to high frequency range
- Automatic mounting
- **RoHs Compliant (Pb Free)**



Electrical Specifications:

Parameters	S4 1	S4 2	S4 3	S4 4	
Fan Out Type	CMOS		TTL		
Supply Voltage	5V	3.3V	5V	3.3V	
Frequency Range	1 ~ 125 MHz				
Frequency Stability (25°C)	± 25ppm, ± 50ppm, ± 100ppm				
Pad Type	4 Pads				
Operating Temperature	-10°C ~ 70°C, -20°C ~ 70°C, -40°C ~ 85°C				
Storage Temperature Range	-55°C ~ 125°C				
Supply Current	<= 30 MHz, 30 mA, > 30 MHz, 45 mA				
Aging (25°C)	± 3ppm / year maximum				
Load	Output Loading Capacitance	15pF , 50pF		15pF	
	Voltage Voh (min)	4.5Vdc	2.97Vdc	4.5Vdc	2.97Vdc
	Voltage Vol (max)	0.5Vdc	0.33Vdc	0.5Vdc	0.33Vdc
	Symmetry (duty cycle)	40 ~ 60% maximum			
	Rise / Fall Time	10 ns max.			
	Start-up Time	10 ms max.			
Frequency Control	Pullability	100 ppm minimum or specify			
	Voltage Control	0.5 ~ 4.5Vdc	0.3 ~ 3.0Vdc	0.5 ~ 4.5Vdc	0.3 ~ 3.0Vdc
	Monotonic Linearity	< ± 10%			
	Input Impedance	50 Kohms normal			

Part Numbering System:

S4 **1** **A** — **4.000** **B** **T** **—**

① ② ③ ④ ⑤ ⑥ ⑦

① Series	② Output Load	③ Frequency Stability	④ Frequency	⑤ Operating Temperature	⑥ Output Symmetry	⑦ Output Load			
Series	Parameters	Frequency Stability	Frequency	Code	Ranges	Code	Output Symmetry	Code	Output Load
S4: 4 Pad	1 5V CMOS	A: ±100 ppm	Unit : MHz	A	-10°C ~ +70°C	Nil	40% / 60%	Nil	Standard
	2 3.3V CMOS	B: ±50 ppm	5 digits min.	B	-20°C ~ +70°C	T	45% / 55%	X	Custom
	3 5V TTL	D: ±25 ppm		X	-40°C ~ +85°C				
	4 3.3V TTL								

Remark: Specifications are subject to change without prior notice. Please confirm with our sales engineer.

VCXO SMD Voltage Controlled Crystal Oscillator S4 Series

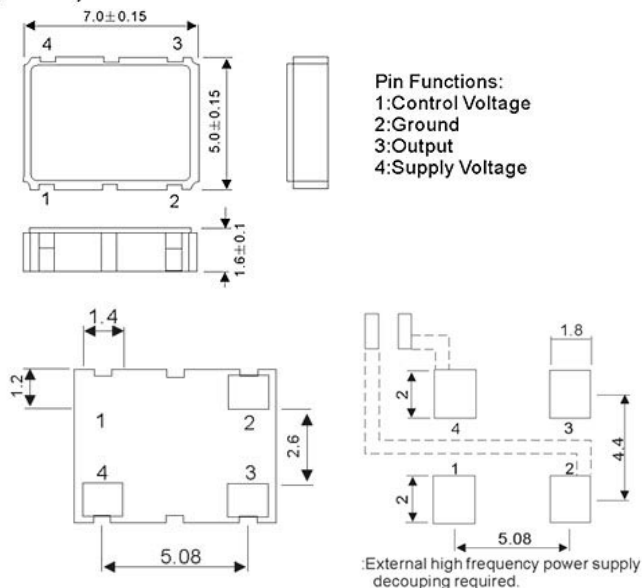
Seam sealed ceramic 7 x 5 x 1.6mm voltage control

VCXO (4 Pads)

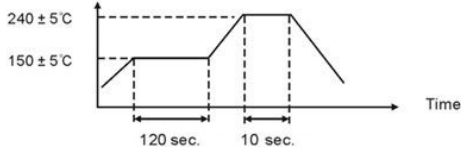


Dimensions:

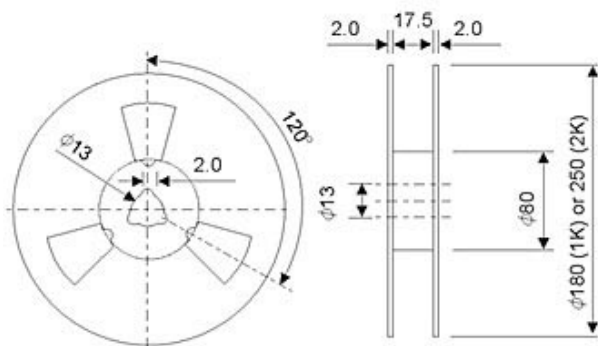
(4 Pad)



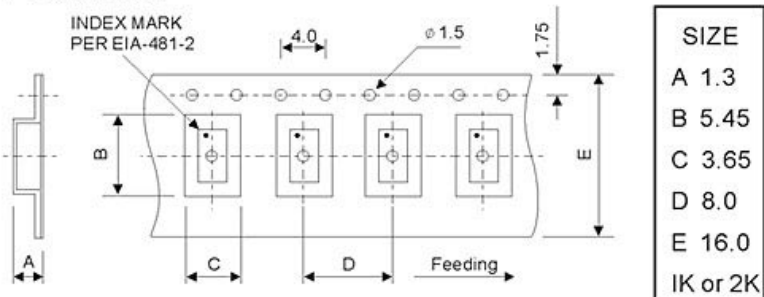
REFLOW CONDITION:



Total time : 200 seconds Max.
 Solder melting point : 185°C



PACKING:



Remark: Specifications are subject to change without prior notice. Please confirm with our sales engineer.