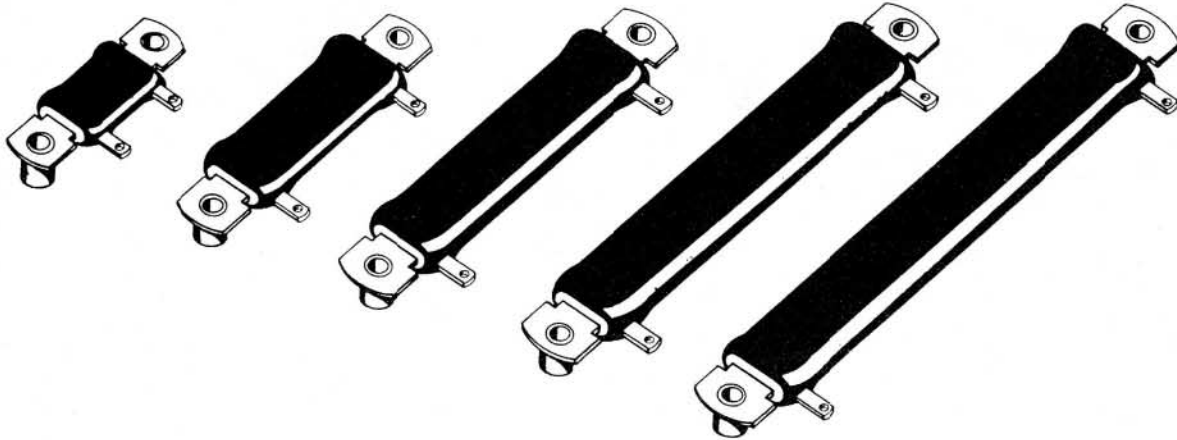


FVOT, FSOT

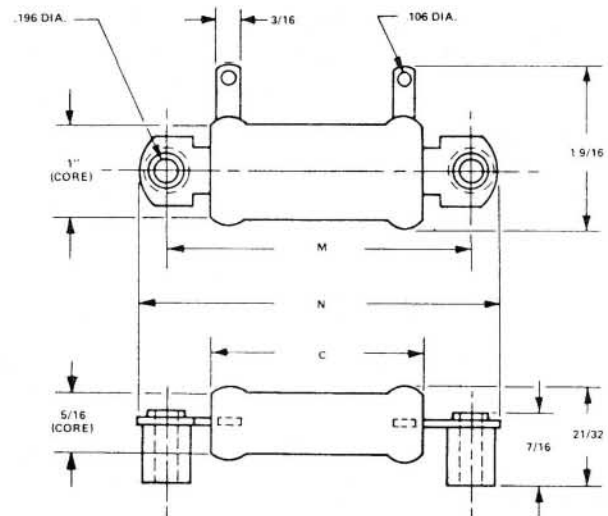
VITREOUS or SILICONE

30 WATTS thru 95 WATTS



TYPE	WATT	C	M	N
FSOT-30	30	1 1/4	2	2 1/2
FSOT-40	40	2	2 3/4	3 1/4
FSOT-55	55	3 1/2	4 1/4	4 3/4
FSOT-65*	70	4 3/4	5 1/2	6
FSOT-75*	95	6	6 3/4	7 1/4

**NOTE:** The above chart applies to both vitreous and silicone coated resistors. The "type" nomenclature shown is for silicone coating. When ordering vitreous substitute the letter "V" for the letter "S" in the type.  
 \*Not available in vitreous coating  
 EXAMPLE: FVOT = VITREOUS      FSOT = SILICONE



### OPTIONAL FEATURES AVAILABLE

**RESISTANCE TOLERANCE:** Standard tolerance is  $\pm 5\%$  for 1 ohm and greater and  $\pm 10\%$  for less than 1 ohm. If other than standard tolerance is required add this tolerance to the part number. (See Below)

**NON-INDUCTIVE:** Ayrton-Perry type non-inductive winding is available. When required add "NI" to part number. (See Below)

**MOUNTING BRACKETS:** Standard oval resistors are supplied with a plated steel mounting bracket and aluminum standoff.

Standard oval resistors, like the miniature ovals, are easily stacked and utilize the mounting surface as a heat-sink. When stacking two or more parts the individual resistors should be de-rated as shown in the chart.

