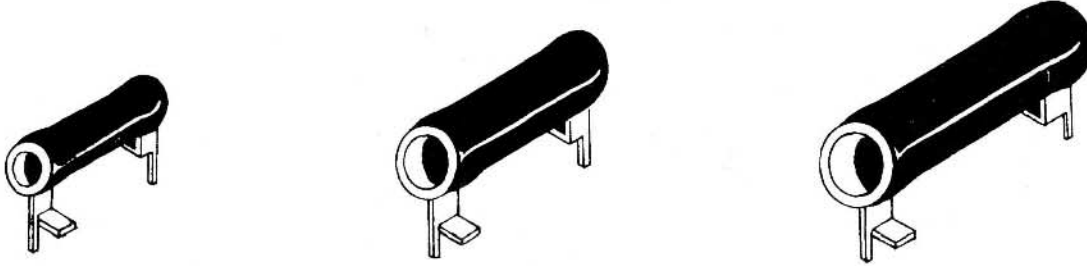


3 WATTS thru 20 WATTS



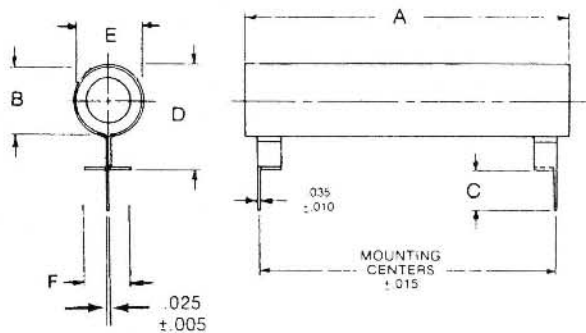
TYPE	WATTS	MOUNTING CTRS. (NOTE 2)		CORE		TYP C	MAX D	MAX E	MAX F
		STANDARD	MAXIMUM	A	B				
*FS-3	3	0.600	0.846	1	0.200	0.125	0.450	.281	.400
*FS-5A	5/3	0.900	0.971	1 1/8	0.200	0.125	0.450	.281	.400
FS-5	7/4	0.600	0.846	1	5/16	0.150	0.600	.410	.500
FS-5S	8/5	0.900	0.971	1 1/8	5/16	0.150	0.600	.410	.500
FS-10	10	1.300	1.596	1 3/4	5/16	0.150	0.600	.410	.500
FS-10S	12/10	1.700	1.971	2 1/8	5/16	0.150	0.600	.410	.500
FS-20	20/15	1.700	1.846	2	7/16	0.200	0.725	.531	.531
FS-20S	20	2.200	2.221	2 3/8	7/16	0.200	0.725	.531	.531

NOTE 1: The above chart applies to both vitreous and silicone coated resistors. The "type" nomenclature shown is for silicone coating. When ordering vitreous coating, substitute the letter "V" for the letter "S" in the type.

NOTE 2: The mounting center of this resistor can be varied to meet individual applications so long as the mounting centers do not exceed the "maximum" dimension shown.

*NOT AVAILABLE IN VITREOUS

EXAMPLE: FS = SILICONE FV = VITREOUS



NOTE: Recommended mounting hole is 0.078 diameter.

GENERAL INFORMATION

Quick and easy installation with built in standoffs to keep the printed circuit board cool make this a superior resistor for application where the resistor is to be mounted directly onto a board. The unique design also provides opposing feet to prevent rocking. The pre-tinned mounting pins are just the right length for most PC boards so that lead trimming after insertion is not needed. Dual wattage rating allows more design flexibility. We offer a wide variety of standard sizes with standard mounting centers. In addition, we can custom make these resistors to your specifications.

ORDERING INFORMATION

FS - 20 - 100 - 10% - NI - 1.700 MTG

TYPE
FS = SILICONE
FV = VITREOUS

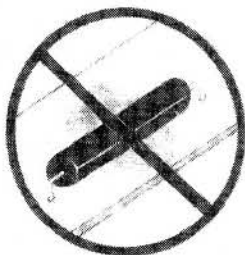
RESISTANCE
VALUE

ADD FOR
SPECIAL
TOLERANCE

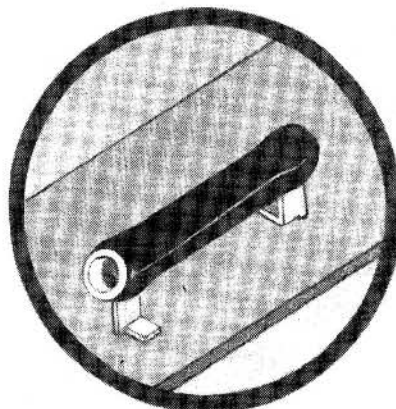
ADD FOR
NON
INDUCTIVE

MOUNTING
CENTERS

3 WATTS thru 20 WATTS



—ELIMINATES—
SCORCHED PC BOARDS
DUE TO PARTS MOUNTED ON
BOARD SURFACE



—NEAT—
MOUNTS QUICK
STAYS ERECT
KEEPS BOARD COOL



—ELIMINATES—
LEAD FORMING
TO KEEP PARTS OFF OF BOARD

ENGINEERING DATA AND SPECIFICATIONS

CORE: Steatite ceramic

TERMINALS: .025 x .035 pre-tinned rectangular pin.
(Recommend .078" diameter hole for mounting.)

COATING: Available in vitreous enamel or silicone. (See ordering information.)

TEMPERATURE COEFFICIENT: 0 ± 400 ppm/ $^{\circ}$ C 1 Ohm to 20 Ohms. 0 ± 260 ppm/ $^{\circ}$ C 20 Ohms or above. (Special TC's available. Consult factory.)

DIELECTRIC WITHSTANDING VOLTAGE: 500 VAC

INDUCTANCE: Standard parts have single layer inductive windings. Ayrton-Perry type non-inductive winding is available. (See ordering information.)

OVERLOAD: 10 x rated power for 5 seconds.

TOLERANCE: $\pm 5\%$ is standard for 1 Ohm and greater. $\pm 10\%$ for less than 1 Ohm. Special tolerances are available. (See ordering information.)

DERATING: Wattage ratings are based on 275 $^{\circ}$ C rise at 25 $^{\circ}$ C ambient for lower ratings shown and 350 $^{\circ}$ C at 25 $^{\circ}$ C ambient for the higher ratings shown. See derating chart for higher ambients.

