



## C4K Series

### Features

- Miniature size - 3.8mm x 4.6mm
- Eleven different types/configurations
- Available on tape & reel

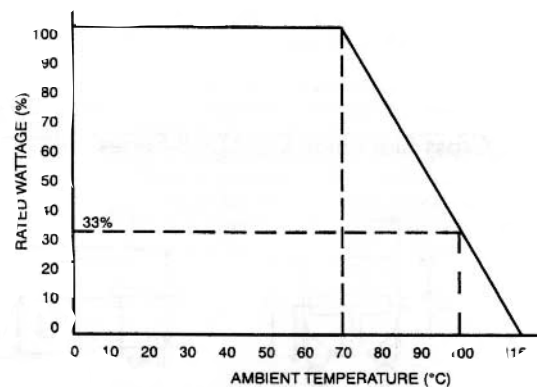
### Physical Characteristics

- Rotational angle:  $270^\circ \pm 20^\circ$
- Single turn
- Setting torque: 20 to 200 gm/cm
- Terminal strength: >500 gms
- End stop: None

### Specifications

- Resistance values (ohms): 100 to 1 meg.  
100, 150, 220, 330, 470, 680  
1K, 1.5K, 2.2K, 3.3K, 4.7K, 5.0K, 6.8K  
10K, 15K, 22K, 33K, 47K, 50K, 68K  
100K, 150K, 220K, 330K, 470K, 500K, 680K  
1M
- Standard tolerance:  $\pm 30\%$
- Standard taper: (B) linear
- Residual resistance:  $\leq 10$  - 100 to 1000 , inc.;  
 $\leq 1\%$  of nominal > 1000
- Power rating: 0.2 watts at 70°C
- Maximum working voltage: 100 volts
- Operating temperature range: -30°C to +100°C
- Temperature coefficient:  $\pm 250\text{ppm}/^\circ\text{C}$

**DERATING CURVE**



## RATINGS

Part Designation	Power Rating @70°C	T.C.R. /°C	Resistance Change Characteristics	Resistance Range E-6	Resistance Tolerance	Absolute Maximum Working Voltage	Operating Temperature Range	Operation Torque
All styles except C4K C4315	0.2W	±250ppm	B (Linear)	100 - 1M	±30%	100V	-30°C ~ +100°C	20 ~ 200 gm/cm
C4K C4315	0.1W				±25%	50V		

## Part Numbering system

**C4K**

**4314**

**TE**

**102**

Series

Type

Packaging

Nominal Resistance

Type	
4202	4303
4204	4304
4212	4312
4214	4314
4222	4322
	4315

Packaging	
Code	Details
B	Bulk (1000 pcs.)
TE	Tape & Reel (plastic reel)
All styles except C4K 4315 750 pcs/reel ..... C4K 4315 500 pcs/reel	

2 significant figures & 1 multiplier





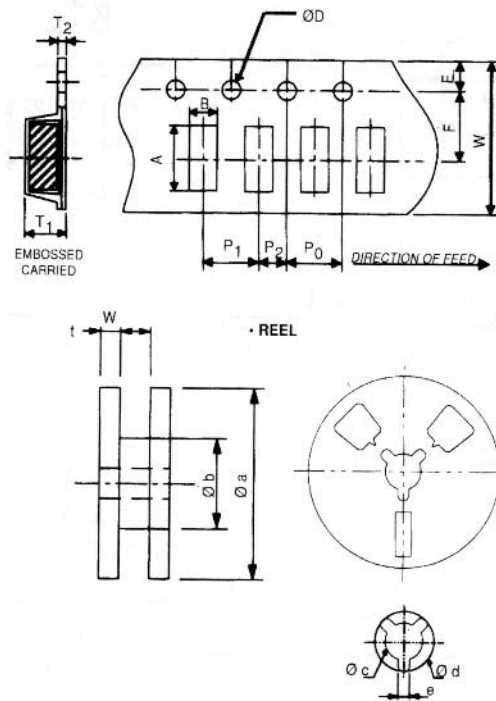
## PACKAGING SPECIFICATIONS (Units: mm)

Part	A	B	W	E	F	T1	T2	P0	P1	P2	ØD
All styles except C4K C4315	5.0±0.2	4.3±0.2	12.0±0.3	1.75±0.1	5.5±0.1	2.7±0.2	0.3±0.1	4.0±0.1	8.0±0.1	2.0±0.05	1.5 <sup>+0.15</sup> <sub>-0.05</sub>
C4K C4315	5.0±0.2	4.3±0.2	12.0±0.3	1.75±0.1	5.5±0.1	3.0±0.2	0.3±0.1	4.0±0.1	8.0±0.1	2.0±0.05	1.5 <sup>+0.15</sup> <sub>-0.05</sub>

## REEL DIMENSIONS (Units: mm)

Part	Øa	Øb	W	t	Øc	Ød	e
C4K	178±2.0	60±2.0	14±1.5	1.5±0.5	13±0.5	21±2.0	2.0 <sup>+0.5</sup> <sub>0</sub>

## Embossed Plastic Carrier



MEGASTAR-OHM surface mount tape & reel packaging complies with EIA STD. 481-1.