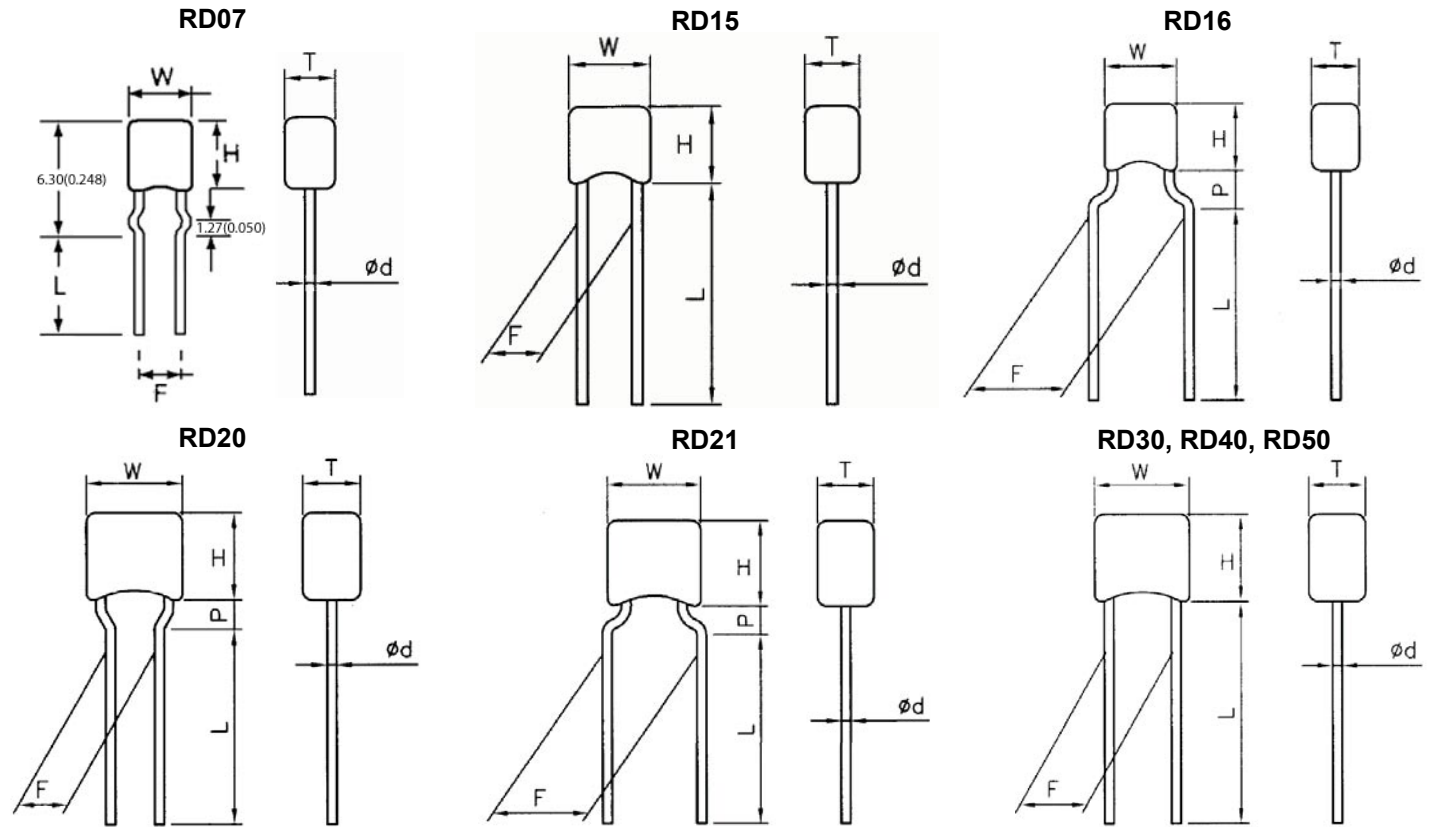


RADIAL-LEADED, EPOXY-DIPPED MULTILAYER CERAMIC CAPACITORS

STYLES AND DIMENSIONS

STYLES:



DIMENSIONS UNITS: mm(inches):

Size Code	W Max.	H Max	T Max	F	L	P Max.	d°
RD07	4.06 (0.16)	3.81 (0.15)	2.54 (0.10)	2.54 (0.10)	28.0 Min. (1.10) (Standard)	2.0 (0.08)	0.53 ± 0.05 (0.02 ± 0.002)
RD15	4.06 (0.16)	3.81 (0.15)	2.54 (0.10)	2.54 (0.10)			
RD16	4.06 (0.16)	3.81 (0.15)	2.54 (0.10)	5.08 (0.20)			
RD20	5.08 (0.20)	5.08 (0.20)	3.05 (0.12)	2.54 (0.10)	10.0 ± 2.0 (0.39 ± 0.08)	2.0 (0.08)	0.53 ± 0.05 (0.02 ± 0.002)
RD21	5.08 (0.20)	5.08 (0.20)	3.05 (0.12)	5.08 (0.20)			
RD30	7.62 (0.30)	7.62 (0.30)	3.81 (0.15)	5.08 (0.20)	6.0 ± 1.0 (0.24 ± 0.08)	2.0 (0.08)	0.53 ± 0.05 (0.02 ± 0.002)
RD40	10.16 (0.40)	10.16 (0.40)	7.62 (0.30)	7.62 (0.30)			
RD50	12.60 (0.50)	12.70 (0.50)	7.62 (0.30)	10.16 (0.40)			

MARKING:

Capacitance are marked in 3 digits for capacitance above 100pF, and marked in actual value for capacitance 100pF and below.