

## PLCC SMD Type PPS Brown Color without Post 850SMTPLCC-XXPPSTN



### Specifications

Current Rating: 1 Amp.  
Dielectric Withstand : 500V AC for 1 min.  
Contact Resistance: 30m ohms max. at DC100MA  
Insulator Resistance: 1000 Megaohms Min. at DC500V  
Operating Temperature : -55C ~ +105C  
Housing Material: Polyphenylene Sulfide PPS  
& 40% Glass Fiber (UL-94V-0)  
Contact Material: Phosphor Bronze  
Plating: 150μ" Min SnCu 50u" MIN Nickel Overall

### Part Numbering System

850SMTPLCC - XX PPS I N X X

**Insulator Height:**  
Blank = 4.6mm, Standard  
3.8 = 3.8mm, Low  
4.3 = 4.3mm, Only for 32pins

**Packing Method:**  
R = Tape and Reel  
Blank = Tube

**Post Option:**  
N = Without Post

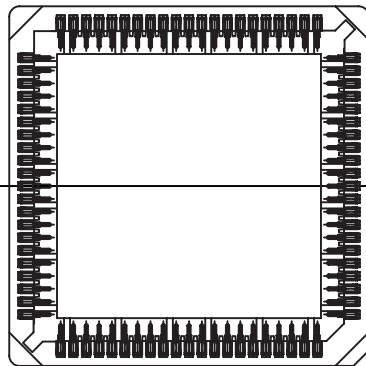
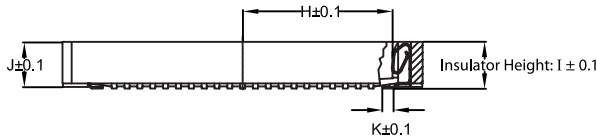
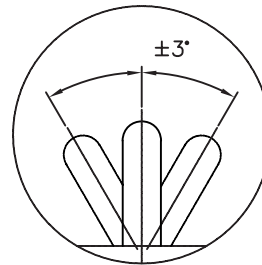
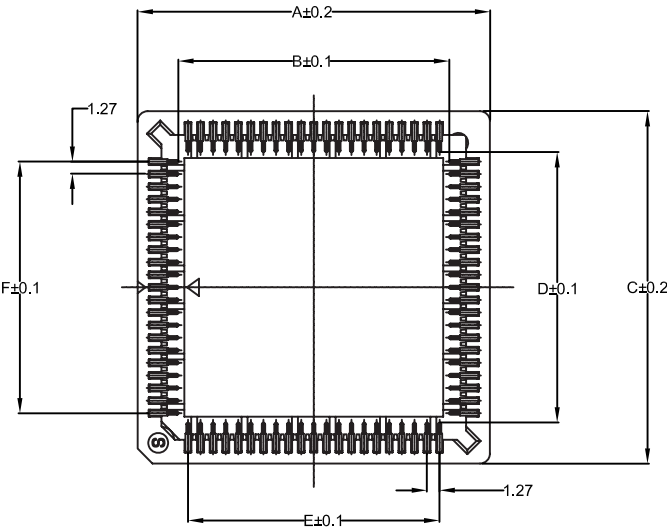
**Plating:**  
T = Tin Plating

No. Of Pins

No. Of Pos.	Dimensions											No. Of Pins			
	A	B	C	D	E	F	G	H	I	I	I	J	K		
20P	.585 (14.86)	.276 (7.02)	.585 (14.86)	.276 (7.02)	.200 (5.08)	.200 (5.08)	.181 (4.60)	.181 (4.60)	.181 (4.60)	.15 (3.8)	/	.175 (4.45)	.043 (1.10)		
28P	.683 (17.34)	.374 (9.50)	.683 (17.34)	.374 (9.50)	.300 (7.62)	.300 (7.62)	.231 (5.88)	.231 (5.88)	.181 (4.60)	.15 (3.8)	/	.175 (4.45)	.043 (1.10)		
32P	.768 (19.50)	.476 (12.10)	.667 (16.95)	.378 (9.60)	.400 (10.16)	.300 (7.62)	.228 (5.78)	.278 (7.05)	.181 (4.60)	.15 (3.8)	.169 (4.30)	.151 (3.83)	.043 (1.10)		
44P	.883 (22.42)	.571 (14.50)	.883 (22.42)	.571 (14.50)	.500 (12.70)	.500 (12.70)	.329 (8.35)	.329 (8.35)	.181 (4.60)	.15 (3.8)	/	.175 (4.45)	.043 (1.10)		
52P	1.000 (25.40)	.679 (17.24)	1.000 (25.40)	.679 (17.24)	.600 (15.24)	.600 (15.24)	.383 (9.73)	.383 (9.73)	.181 (4.60)	.15 (3.8)	/	.175 (4.45)	.043 (1.10)		
68P	1.202 (30.54)	.876 (22.26)	1.202 (30.54)	.876 (22.26)	.800 (20.32)	.800 (20.32)	.480 (12.20)	.480 (12.20)	.181 (4.60)	.15 (3.8)	/	.175 (4.45)	.043 (1.10)		
84P	1.400 (35.56)	1.076 (27.34)	1.400 (35.56)	1.076 (27.34)	1.000 (25.40)	1.000 (25.40)	.582 (14.79)	.582 (14.79)	.181 (4.60)	.15 (3.8)	/	.175 (4.45)	.043 (1.10)		

Standard  
Lower  
Exception

General Tolerance	
X. ± 0.50	X.° ± 5°
.X ± 0.20	.X° ± 2°
.XX ± 0.10	.XX° ± 1°
Units : mm	



### Specifications

Current Rating: 1 Amp.  
Dielectric Withstand : 500V AC for 1 min.  
Contact Resistance: 30m ohms max. at DC100MA  
Insulator Resistance: 1000 Megaohms Min. at DC500V  
Operating Temperature : -55C ~ +105C  
Housing Material: Polyphenylene Sulfide PPS  
& 40% Glass Fiber (UL-94V-0)  
Contact Material: Phosphor Bronze  
Plating: 150µ" Min SnCu 50u" MIN Nickel Overall

### Part Numbering System

850SMTPLCC - **XX** PPS **I** P **XX**

**Insulator Height:**  
Blank = 4.6mm, Standard  
3.8 = 3.8mm, Low  
4.3 = 4.3mm, Only for 32pins

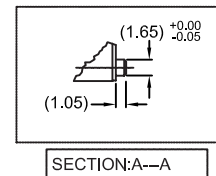
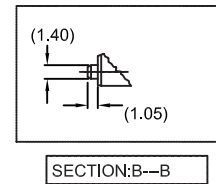
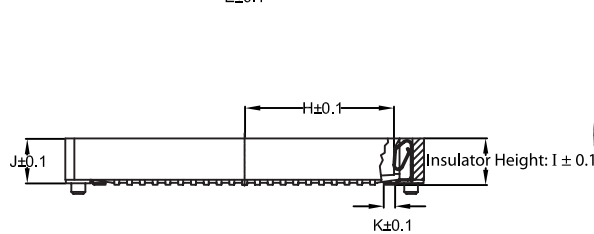
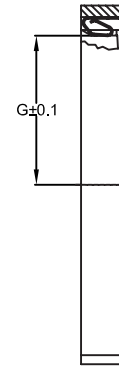
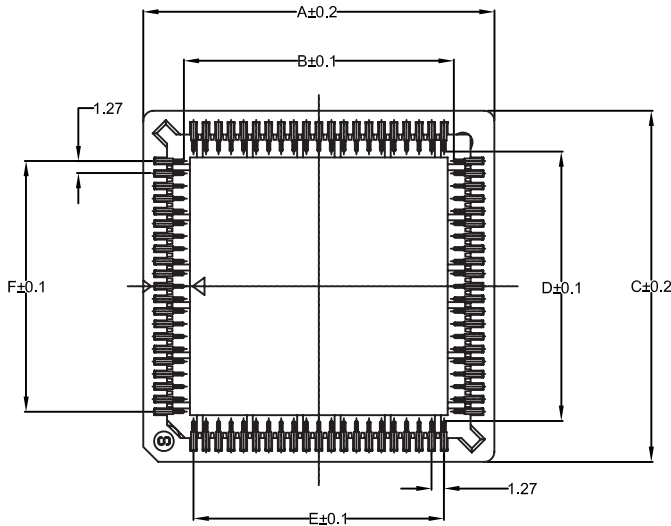
**Packing Method:**  
R = Tape and Reel  
Blank = Tube

**Post Option:**  
P = With Post

**Plating:**  
T = Tin Plating

No. Of Pins

General Tolerance	
X. ± 0.50	X.° ± 5°
.X ± 0.20	.X° ± 2°
.XX ± 0.10	.XX° ± 1°
Units : mm	



Standard  
Lower  
Exception

No. Of Pos.	Dimensions												
	A	B	C	D	E	F	G	H	I	I	I	J	K
20P	.585 (14.86)	.276 (7.02)	.585 (14.86)	.276 (7.02)	.200 (5.08)	.200 (5.08)	.181 (4.60)	.181 (4.60)	.181 (4.60)	.15 (3.8)		.175 (4.45)	.043 (1.10)
28P	.683 (17.34)	.374 (9.50)	.683 (17.34)	.374 (9.50)	.300 (7.62)	.300 (7.62)	.231 (5.88)	.231 (5.88)	.181 (4.60)	.15 (3.8)		.175 (4.45)	.043 (1.10)
32P	.768 (19.50)	.476 (12.10)	.667 (16.95)	.378 (9.60)	.400 (10.16)	.300 (7.62)	.228 (5.78)	.278 (7.05)	.181 (4.60)	.15 (3.8)	.169 (4.30)	.151 (3.83)	.043 (1.10)
44P	.883 (22.42)	.571 (14.50)	.883 (22.42)	.571 (14.50)	.500 (12.70)	.500 (12.70)	.329 (8.35)	.329 (8.35)	.181 (4.60)	.15 (3.8)		.175 (4.45)	.043 (1.10)
52P	1.000 (25.40)	.679 (17.24)	1.000 (25.40)	.679 (17.24)	.600 (15.24)	.600 (15.24)	.383 (9.73)	.383 (9.73)	.181 (4.60)	.15 (3.8)		.175 (4.45)	.043 (1.10)
68P	1.202 (30.54)	.876 (22.26)	1.202 (30.54)	.876 (22.26)	.800 (20.32)	.800 (20.32)	.480 (12.20)	.480 (12.20)	.181 (4.60)	.15 (3.8)		.175 (4.45)	.043 (1.10)
84P	1.400 (35.56)	1.076 (27.34)	1.400 (35.56)	1.076 (27.34)	1.000 (25.40)	1.000 (25.40)	.582 (14.79)	.582 (14.79)	.181 (4.60)	.15 (3.8)		.175 (4.45)	.043 (1.10)