

### MATERIAL AND FINISHES:

- INSULATOR:**  
 PBT Glass Filled  
 Nylon-66  
 UL 94V-0
- CONTACT:**  
 Brass (Male)  
 Brass or Phosphor Bronze (Female)
- SHELL:**  
 Steel
- PLATING:**  
 -Contact  
 1- Gold Flash (Complete)  
 2- Selective Gold Over Nickel Plated (Contact Area)  
 Tin/Lead Over Nickel Plated (Tail Area)  
 -Shell  
 Tin or Zinc over Copper Plated

### ELECTRICAL CHARACTERISTICS:

- RATING CURRENT:**  
 3 Amp.
- CONTACT RESISTANCE:**  
 < 15 Milliohm
- INSULATION RESISTANCE:**  
 > 3000 Megohm at 500V
- DIELECTRIC VOLTAGE:**  
 1000V at 1 Minute
- OPERATING TEMPERATURE:**  
 -55°C to +105°C

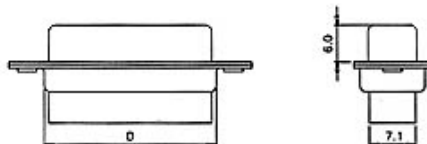
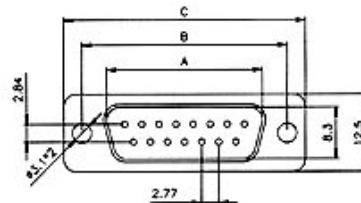
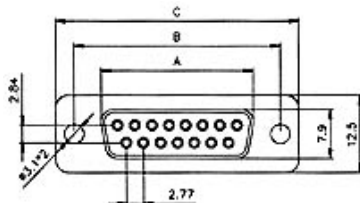


FEMALE Unit: mm

POSITION	A	B	C	D
9F	16.30	25.00	30.8	19.2
15F	24.60	33.30	39.2	27.7
25F	38.30	47.10	53.1	41.1
37F	54.80	63.50	69.4	57.3

MALE Unit: mm

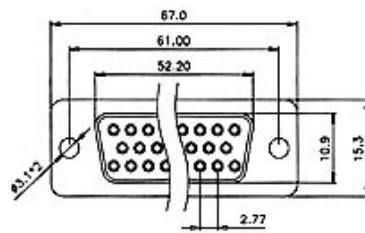
POSITION	A	B	C	D
9M	16.92	25.00	30.8	19.2
15M	25.25	33.30	39.2	27.7
25M	38.96	47.10	53.1	41.1
37M	55.42	63.50	69.4	57.3



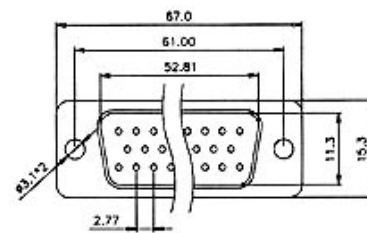
FEMALE



MALE

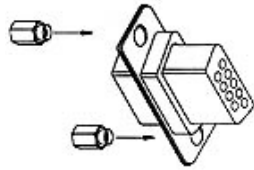


50 POSITION FEMALE

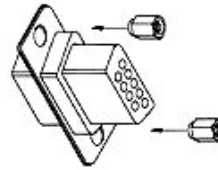


50 POSITION MALE

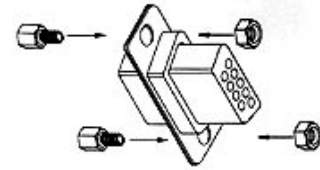
**PROCESS OPTION:**



FRONT RIVET

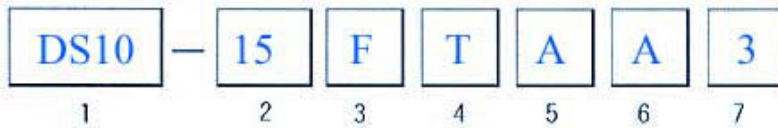


REAR RIVET



HEX SCREW + HEX NUT

**HOW TO ORDER:**



**1. Series**

DS10

**2. Contact Number**

09 15 25 37 50

**3. Contact Type**

M = Male  
F = Female

**4. Shell Plating**

T = Tin  
N = Nickel  
Z = Zinc  
P = Tin + Dimple  
Q = Nickel + Dimple

**5. Process Option**

A = Through Hole  
B = Hex-Screw + 1.5mm Nut  
C = 3.8mm Open Hex Rivet  
D = 5.8mm Open Hex Rivet  
K = 2.5mm Open Hex Rivet

**6. Parts Option**

A = Non Accessories  
B = Front Rivet  
E = Rear Rivet  
F = Rear Rivet + Loose Screws  
G = Rear Rivet + Fixed Screws

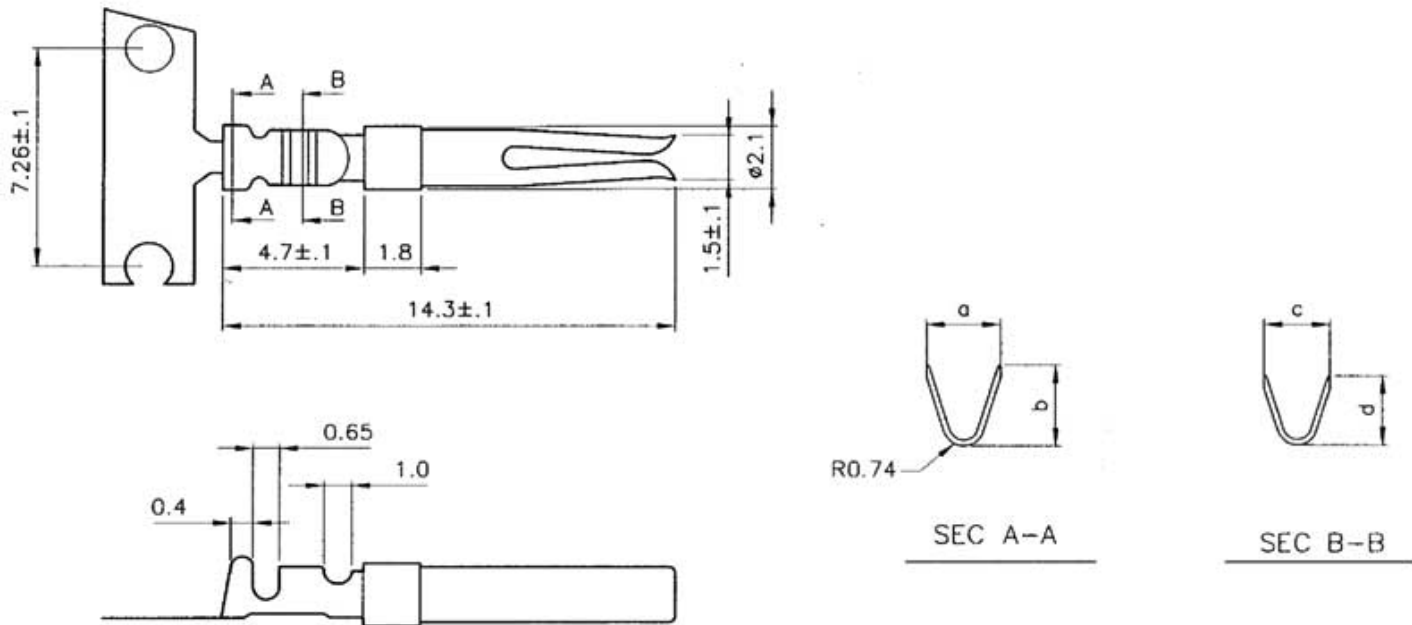
**7. Insulator Color**

3 = Black

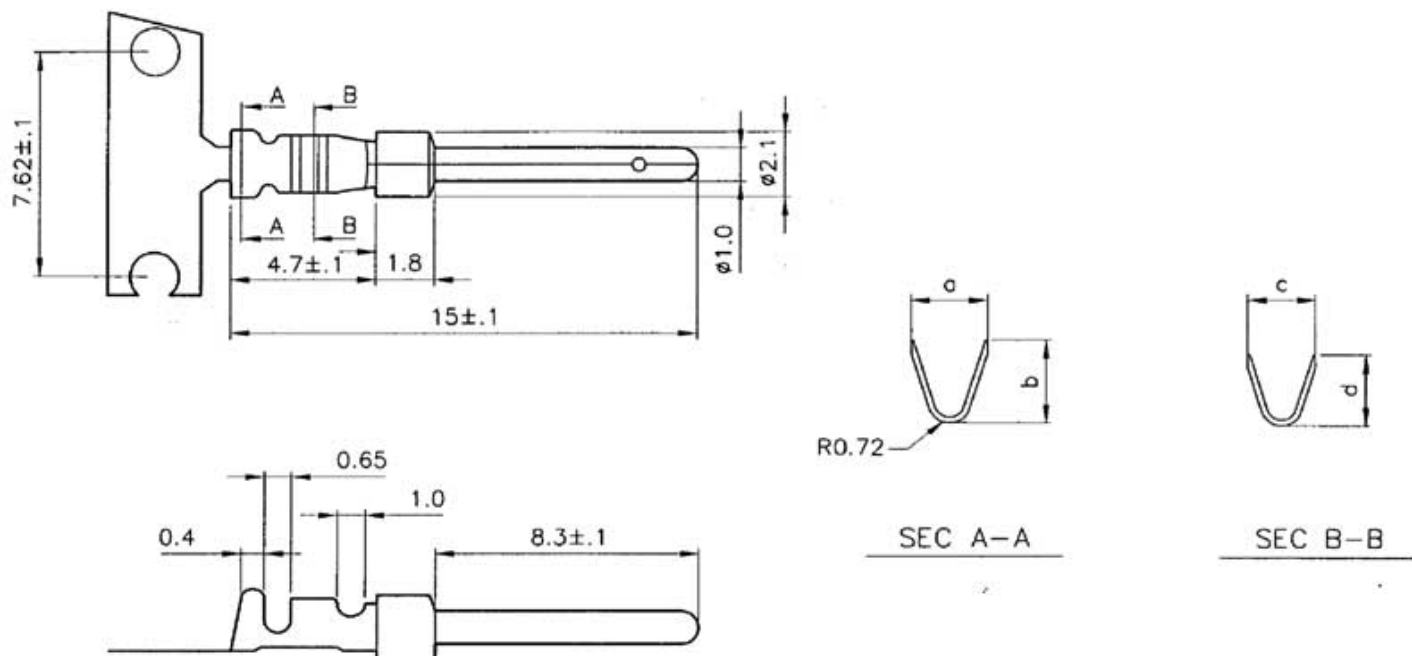
# DS11 D-SUB CRIMP CONTACTS

	A	B	C	D
BOOL	2.8	2.7	2.3	2.1
BOOM	2.1	1.9	1.8	1.36

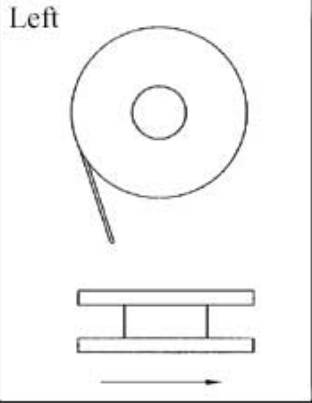
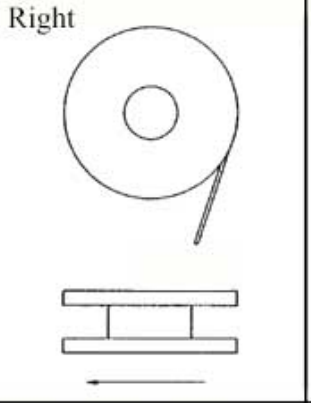
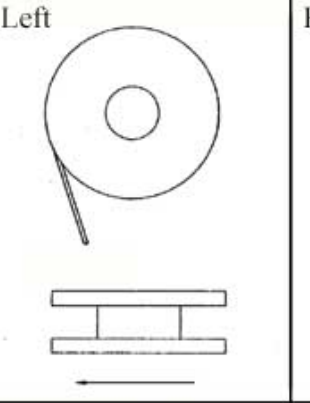
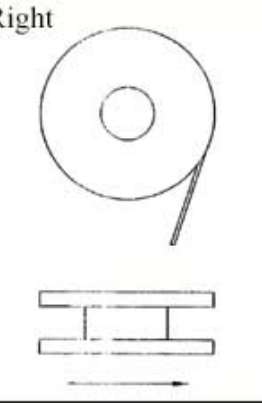
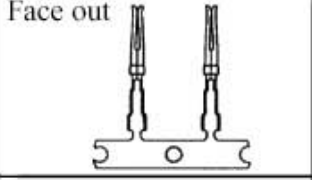
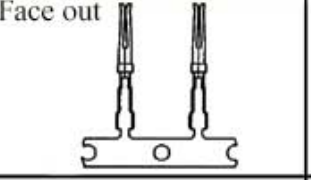
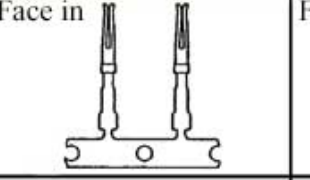
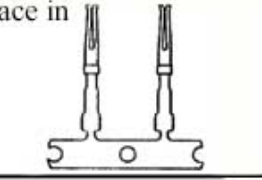
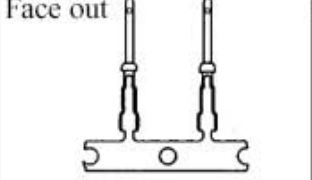
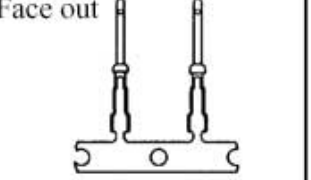
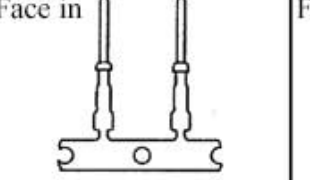
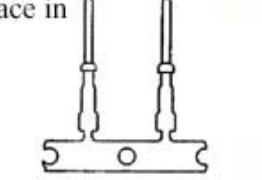
## DIMENSIONS FEMALE CRIMP:



## DIMENSIONS MALE CRIMP:



**CONTACT OPTIONS:**

Code	0	1	2	3
Reel Feed Direction	Left 	Right 	Left 	Right 
Crimp Facing (Female)	Face out 	Face out 	Face in 	Face in 
Crimp Facing (Male)	Face out 	Face out 	Face in 	Face in 

**HOW TO ORDER:**



**1. Series**

DS11

**2. Contact Type**

M = Male  
F = Female

**3. Contact Plating**

S = Selective Gold  
G = Gold Flash  
A = 5 μ" Gold  
B = 10 μ" Gold  
C = 15 μ" Gold  
D = 30 μ" Gold

**4. Contact Option**

0 = Left Feed Reel (Crimp Face Out)  
1 = Right Feed Reel (Crimp Face Out)  
2 = Left Feed Reel (Crimp Face In)  
3 = Right Feed Reel (Crimp Face In)

**5. Wire Option**

B = BOOM (Suitable for 24~26 AWG)  
C = BOOL (Suitable for 20~22 AWG)

**6. Material**

A = Brass(Male)  
B = Phosphor Bronze(Female)

**7. Packaging**

T = Reel Type (5k/Reel)  
B = Loose Pins