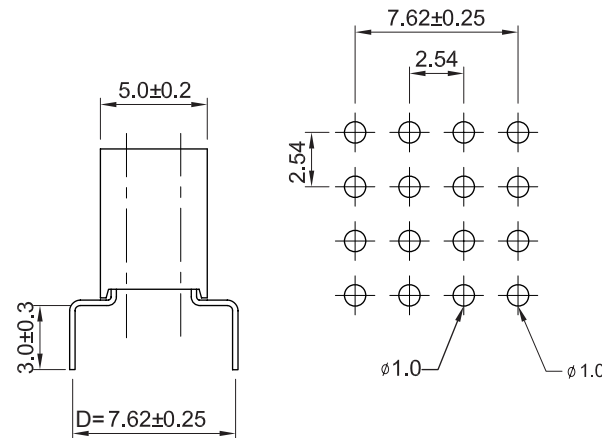
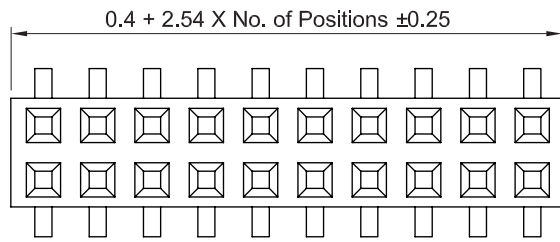


Recommended P.C. Board Hole Layout



Specifications

- Current Rating: 3 Amps
- Insulator Resistance: 1000 Megohms min.
- Contact Resistance: 20 m ohms max.
- Dielectric Withstanding: AC 600V
- Operating Temperature : -40°C ~ +125°C
- Contact Material: Phosphor Bronze
- Insulator Material: Polyester, UL 94V-0, Nylon-6T
- Contact Plated: See Option / Standard = Full Gold Flash

Note: Can be use for both Top & Bottom entry type.

Part Numbering System

FH-H7.1W5.0SD - TXXX - XX - X X

Series

Pin Type:

6.50: D = 6.50mm

7.62: D = 7.62mm

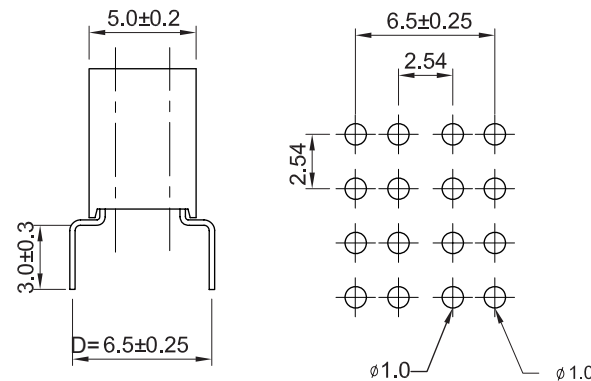
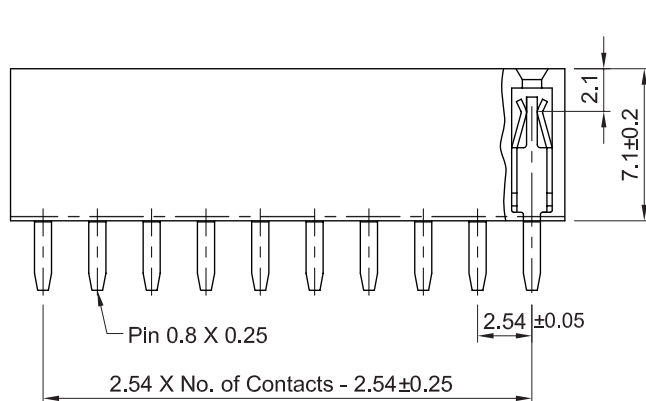
No. of Pins

Contact Plating

Packing Method:

B = Tube

T = Tape & Reel



* Contact Plating Option	Full Gold Plating	Gold Plated on Contact Area Tin Plated on Solder Area	Full Tin Plating
	G : Gold Flash G10: Gold 10u" G15: Gold 15u" G30: Gold 30u"	S: Gold Flash S10: Gold 10u" S15: Gold 15u" S30: Gold 30u"	T: Tin 100u"

General Tolerance	
X. ± 0.50	X.° ± 5°
.X ± 0.20	.X° ± 2°
.XX ± 0.10	.XX° ± 1°
Units : mm	