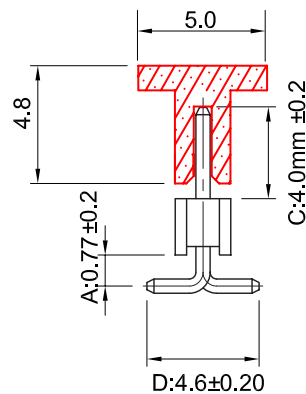
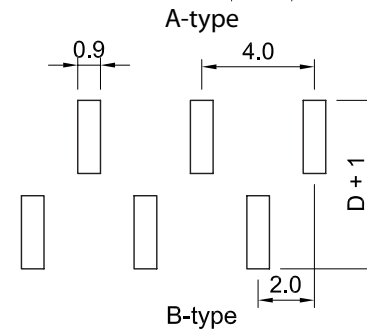
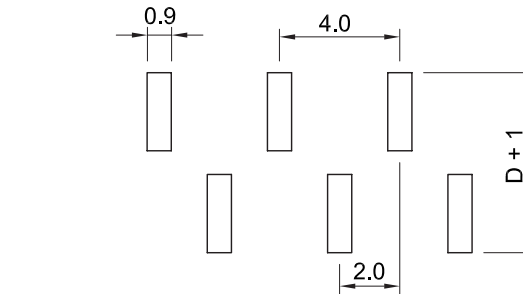
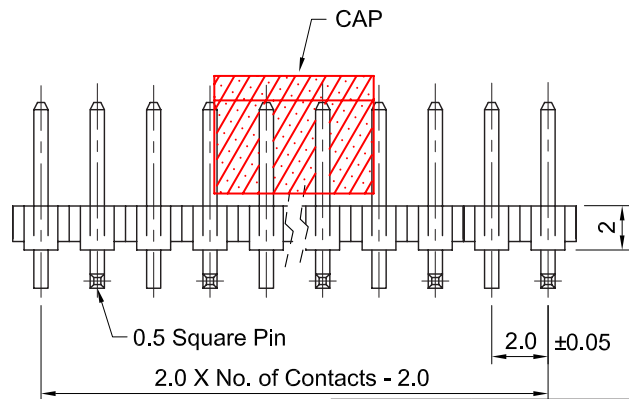
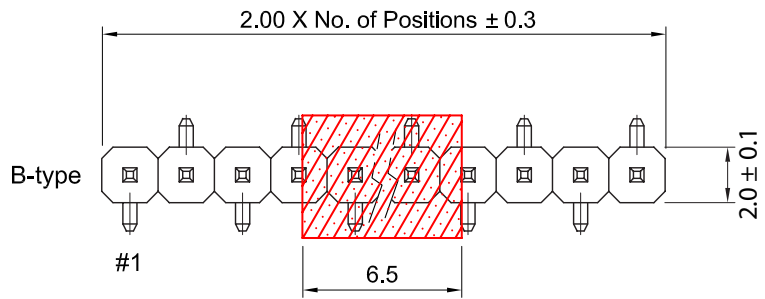
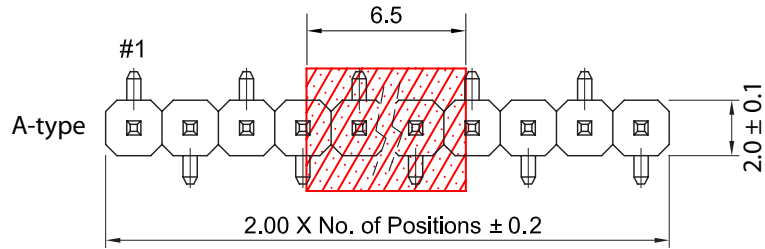


Recommended P.C. Board SMD Layout



Specifications

Current Rating: 2 Amps
 Insulator Resistance: 1000Megohms min.
 Contact Resistance: 20 m ohms max.
 Dielectric Withstanding: AC 500V
 Operating Temperature: -40°C ~ +105°C
 Contact Material: Brass
 Insulator Material: Polyester, UL 94V-0 Nylon-6T
 Contact Plated: *see options below
 Standard: Full Gold Flash

Part Numbering System

SSC200-H2 B -05 - A - C - D - G P T

Series

Pin Type Option:

A = A Type

B = B Type

No. Of Pins:

Dimension A:

Dimension C:

Dimension D:

Contact Plating:

*see options below

Cap Option:

Nil = No Cap

P = Plastic Cap

Packing Method:

B = Tube

T = Tape and Reel

*** 5 Pins, B Type Example: SSC200-H2-B05-0.77-4.0-4.6-GPT
 A = 0.77mm, C = 4.0mm, D = 4.6mm**

General Tolerance	
X. ± 0.50	X. ° ± 5°
.X ± 0.20	.X ° ± 2°
.XX ± 0.10	.XX ° ± 1°
Units : mm	

* Contact Plating Option	Full Gold Plating	Gold Plated On Contact Area Tin Plated on Solder Area	Full Tin Plating
		G : Gold Flash G10: Gold 10u" G15: Gold 15u" G30: Gold 30u"	S: Gold Flash S10: Gold 10u" S15: Gold 15u" S30: Gold 30u"