

Specifications

Material:

Contacts: Copper Alloy, t=0.25mm
 Shell: Copper Alloy, t=0.30mm
 Clip: Stainless Steel, t=0.20mm
 Insulator: P.B.T. UL94V-0 Rated

Electrical:

Current Rating: 1A Max.
 Voltage Rating: 30V AC(rms)
 Dielectric Withstanding Voltage: 750V AC for 1 min.
 Contact Resistance: 30m Ohms Max.
 Insulation Resistance: 1000M Ohms Min.

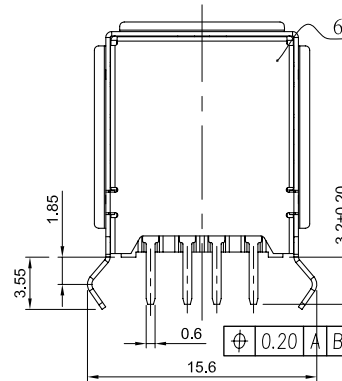
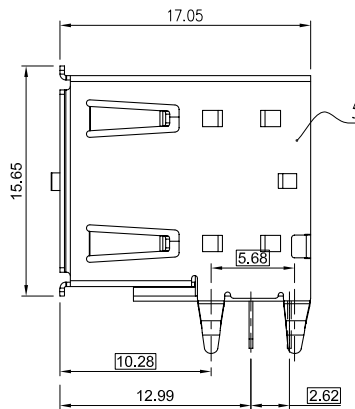
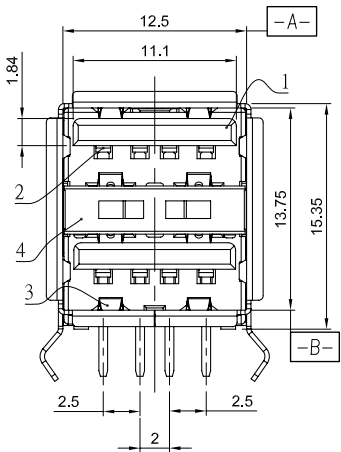
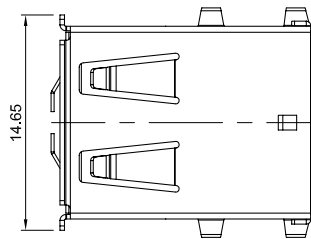
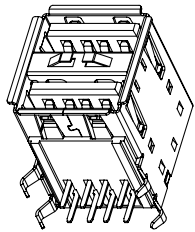
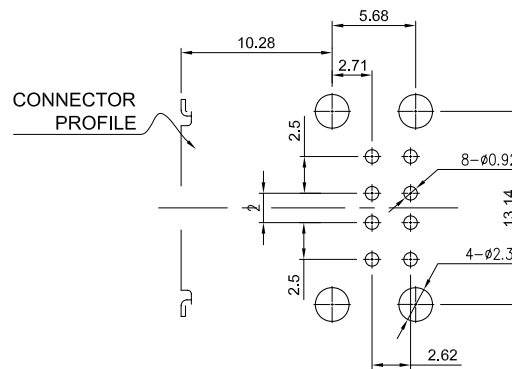
Mechanical:

Mating Force: 3.5Kgf Max.
 Unmating Force: 1.0 Kgf Min.

Environmental:

Temperature Range: -40°C to +105°C

Recommended P.C. Board Hole Layout



Part Numbering System

UR2S-08A - F X X

Series

Contact Option:

F = Female

Contact Plating:

Insulator Color:

W = White

B = Black

No.	Part Name	Qty	Material	Thickness	Finish
1	Housing	1	PBT		Black/White
2	Contact-L	4	Brass	t=0.25±0.1mm	Gold Flash
3	Contact-S	4	Brass	t=0.25±0.1mm	Gold Flash
4	Front-Shell	1	Brass	t=0.30±0.1mm	Nickel Plated
5	Back-Shell	1	SPCC	t=0.30±0.1mm	Nickel Plated
6	Clip	1	Stainless Steel	t=0.20±0.1mm	

* Contact Plating Option	Full Gold Plating	Gold Plated On Contact Area Tin Plated on Solder Area	Full Tin Plating
	G : Gold Flash G10: Gold 10u" G15: Gold 15u" G30: Gold 30u"	S: Gold Flash S10: Gold 10u" S15: Gold 15u" S30: Gold 30u"	T: Tin 100u"

General Tolerance	
X. ± 0.50	X.° ± 5°
.X ± 0.20	.X° ± 2°
.XX ± 0.10	.XX° ± 1°
Units : mm	