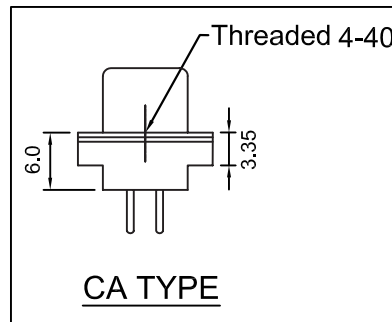
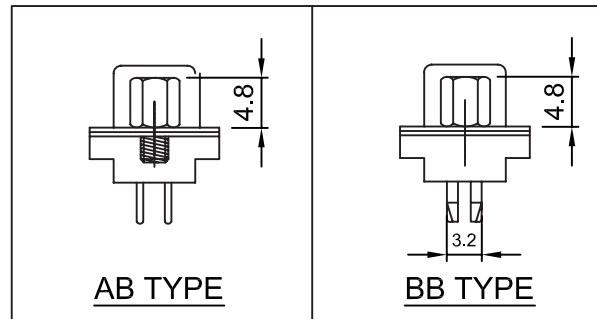
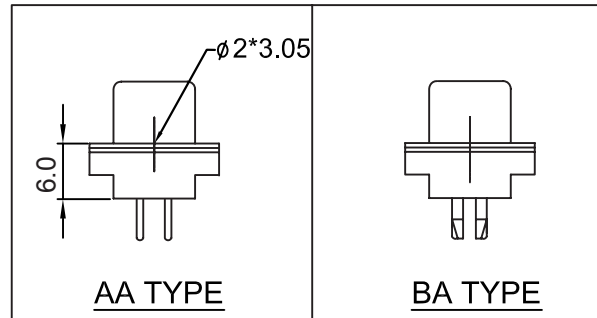
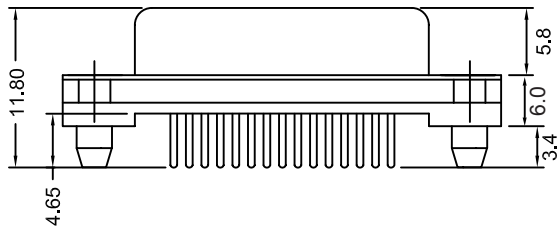
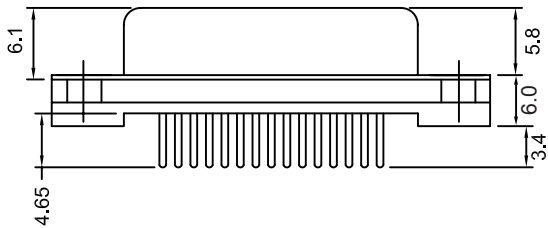
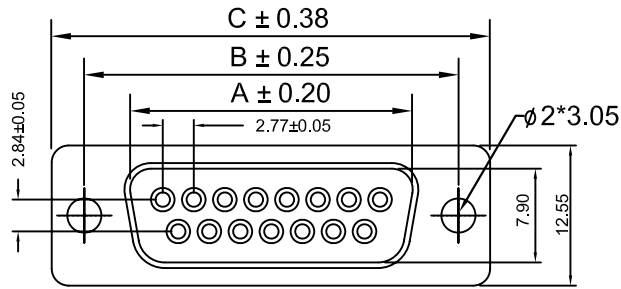


## D-SUB Straight, Female, Low Profile, DIP Type DS03 Series



### Specifications

Current Rating: 3 Amp  
 Operating Temp.: -55°C ~ +105°C  
 Dielectric Strength : 1000V AC/min  
 Insulation Resistance: 1000MΩ Min. at 500VDC  
 Contact Resistance: 30 million hms Max.  
 Insulator Material: PBT+30% Glass Fiber (UL94V-0)  
 Contact: Brass  
 Contact Plated: Gold, Tin Plated  
 Shell: Steel, Nickel Plated  
 Screw: Brass, Nickel Plated

### Part Numbering System

**DS03 - XX F N X X X X**

Series

Insulator Color:  
3 = Black

Parts Option:

A = No Attachment  
 B = Fixed Hex Screws 4.8mm  
 C = Loose Hex Screws 4.8mm

Process Option:

A = Though Hole  
 B = Riveted Board Fork Lock  
 C = Riveted 4-40 Threaded Hole

Contact Number:

09 15 25 37

Contact Type:

F = Female

\* Contact Plating:

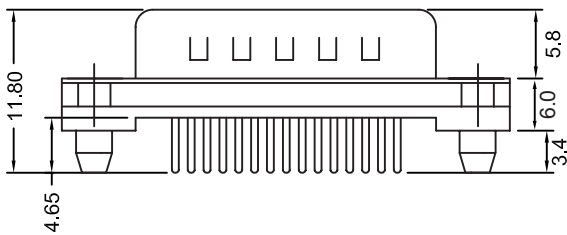
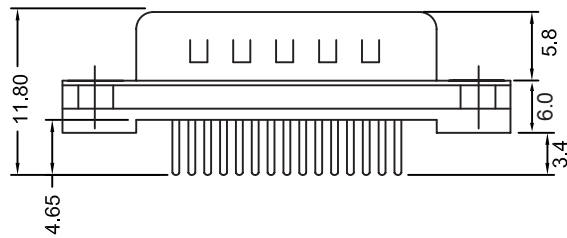
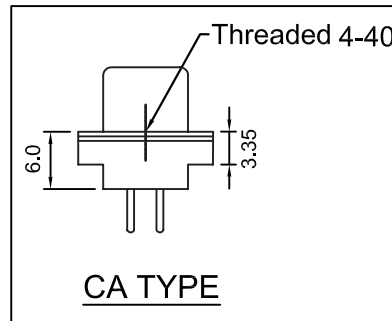
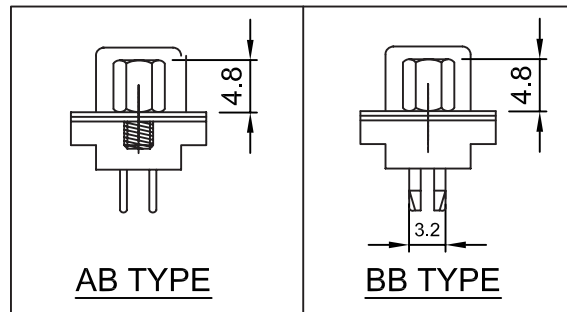
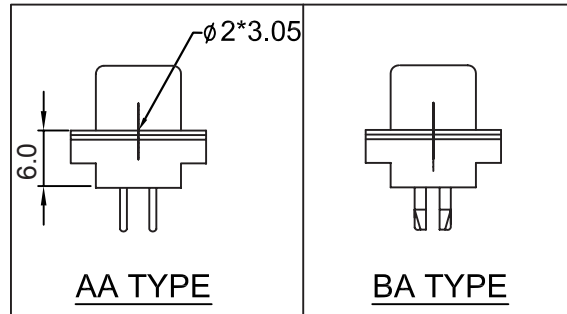
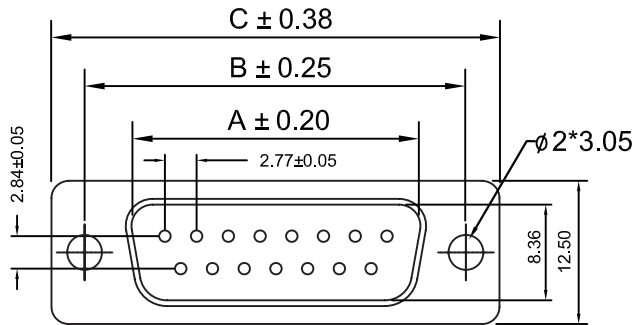
Shell Plating:

N = Nickel ( Standard)

POSITION	A	B	C
09	16.33	24.99	30.81
15	24.66	33.62	39.14
25	38.38	47.04	53.04
37	54.84	63.50	69.32

* Contact Plating Option	Full Gold Plating	Gold Plated On Contact Area Tin Plated on Solder Area	Full Tin Plating
	G : Gold Flash G10: Gold 10u" G15: Gold 15u" G30: Gold 30u"	S: Gold Flash S10: Gold 10u" S15: Gold 15u" S30: Gold 30u"	T: Tin 100u"

General Tolerance	
X. ± 0.50	X.° ± 5°
.X ± 0.20	.X" ± 2'
.XX ± 0.10	.XX° ± 1°
Units : mm	



### Specifications

Current Rating: 3 Amp  
 Operating Temp.: -55°C ~ +105°C  
 Dielectric Strength : 1000V AC/min  
 Insulation Resistance: 1000MΩ Min. at 500VDC  
 Contact Resistance: 30 million hms Max.  
 Insulator Material: PBT+30% Glass Fiber (UL94V-0)  
 Contact: Brass  
 Contact Plated: Gold, Tin Plated  
 Shell: Steel, Nickel Plated  
 Screw: Brass, Nickel Plated

### Part Numbering System

**DS03 - XX M N X X X X**

Series

Insulator Color:  
3 = Black

Parts Option:

A = No Attachment  
 B = Fixed Hex Screws 4.8mm  
 C = Loose Hex Screws 4.8mm

Process Option:

A = Though Hole  
 B = Riveted Board Fork Lock  
 C = Riveted 4-40 Threaded Hole

Contact Number:

09 15 25 37

Contact Type:

M = Male

\* Contact Plating:

Shell Plating:

N = Nickel ( Standard)

POSITION	A	B	C	D
9	16.92	24.99	30.81	19.28
15	25.25	33.62	39.14	27.51
25	38.96	47.04	53.04	41.30
37	55.42	63.50	69.32	57.71

* Contact Plating Option	Full Gold Plating	Gold Plated On Contact Area Tin Plated on Solder Area	Full Tin Plating
	G : Gold Flash G10: Gold 10u" G15: Gold 15u" G30: Gold 30u"	S: Gold Flash S10: Gold 10u" S15: Gold 15u" S30: Gold 30u"	T: Tin 100u"

General Tolerance	
X. ± 0.50	X.° ± 5°
.X ± 0.20	.X° ± 2°
.XX ± 0.10	.XX° ± 1°
Units : mm	