

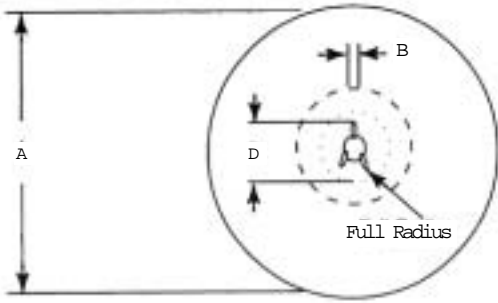
VAREN

Chip Varistors Surface Mount Transient Voltage Suppressors

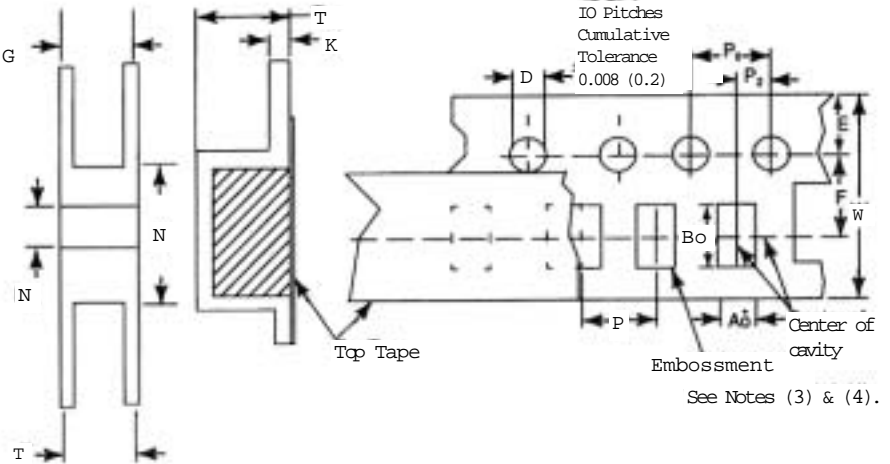
VAS SERIES

Taping Specifications

REEL



EMBOSSED PLASTIC CARRIER TAPE



Reel Dimensions IN mm

A (7)	A (10)	B min	C	D min	G	N	T max
178 - 2.0	254 - 2.0	0.3	13 - 0.5	20.2	10 - 1.5	50	14.9

Embossed Plastic Carrier Tape Dimensions IN mm

Tape Size	W	F	E	P ₀	P ₂	D	K max.	T max.	P
8 mm	8.0 - 0.2	3.5 - 0.5	1.75 - 0.5	4.0 - 0.1	2.0 - 0.5	1.5 ^{+0.1} _{-0.0}	0.3	2.0	4.0 - 0.1

Reel Quantities

	Code : R	Code : T
Case Size	178mm (7)	254mm (10)
0402	10000	—
0603	4000	10.000
0805	3500/4000	10.000
1206	3500/4000	10.000
1210	2500	10.000

Note :

- (1) Specifications are in compliance with EIA RS1-1-A Taping of Surface Mount Components for Automatic Placement
- (2) Anti-Static Cover Tape Option. Contact distributors for Availability.
- (3) Dimension Ao (max.) equals component width dimension plus 0.5mm
- (4) Dimension Bo (max.) equals component length dimension plus 0.5mm