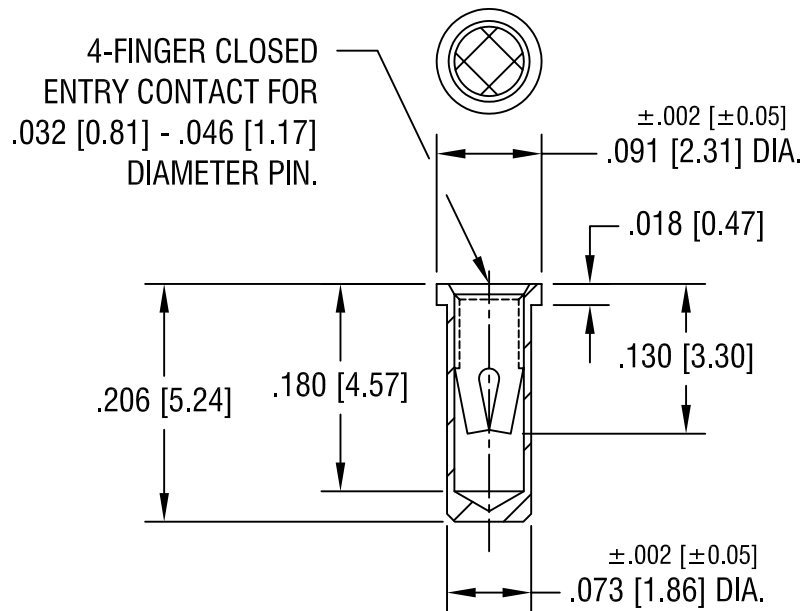


THIS DOCUMENT IS THE PROPERTY OF
KEYSTONE ELECTRONICS CORP. AND
SHALL NOT BE REPRODUCED, DISTRIBUTED
OR USED AS A BASIS FOR MANUFACTURE
WITHOUT PRIOR WRITTEN PERMISSION
FROM KEYSTONE ELECTRONICS CORP.



NOTES:

1. BODY:
MAT'L - BRASS
SPRING CONTACT:
MAT'L - BERYLLIUM COPPER
2. MOUNTING HOLE DIA.: .076 [1.93]

KEYSTONE ELECTRONICS CORP.			
ASTORIA, N.Y. 11105-2017			
PART NAME			
MICRO JACK, SOLDER MOUNT			
MATERIAL			
AS NOTED			
FINISH		DRN BY	DATE
TIN/LEAD PLATE		BOONE	2.26.02
		APP'D	SCALE
		LN	6X
TOLERANCES		DWG NO.	
INCH	[MM]		
DECIMAL	± .005 [± 0.15]		
ANGULAR	± 1°		
UNLESS OTHERWISE SPECIFIED			
		CODE	
		C/M	
		1437	

DATE	DESCRIPTION	REV.