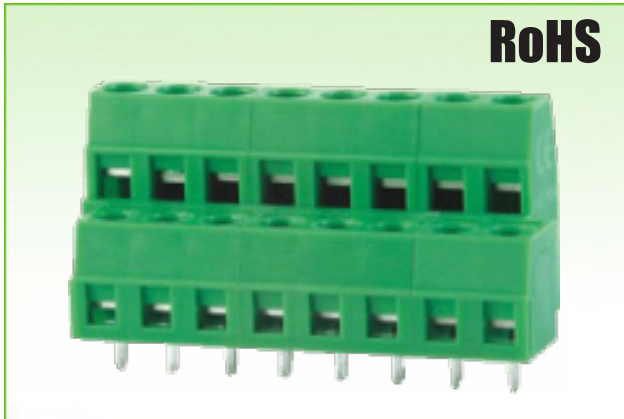
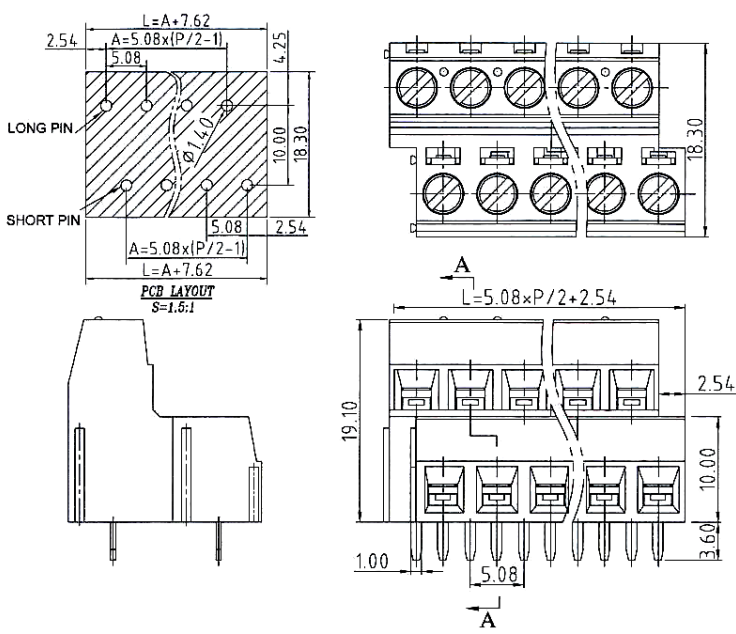


5.08mm Pitch



	UL[®] US
Rated Voltage	300V
Rated Current	10A
Insulation Withstand Voltage	AC 2000V / Min.
Insulation Resistance	≥ 500MΩ or More at DC500V
Temperature Range	-40°C to +105°C
Max. Soldering	+250°C for 5 sec.
Torque	0.4Nm(3.5lb.in)
Strip Length	4-5mm
Wire Range	14-30AWG

Units: mm



LONG PIN
SHORT PIN

PCB LAYOUT
S=1.6:1

SECTION A-A

- ① Housing: PA66(V0)
- ② Block: Brass, Nickel Plated
- ③ Long Pin: Brass, Tin Plated
- ④ Short Pin: Brass, Nickel Plated
- ⑤ Screws: Steel, Zinc Plated

Part Numbering System:

401-508 - XXP - XXX

① ② ③

① Series

② Number of Poles: 02, 03, 04, ..., 24

③ Insulator Color: GRN = Green