

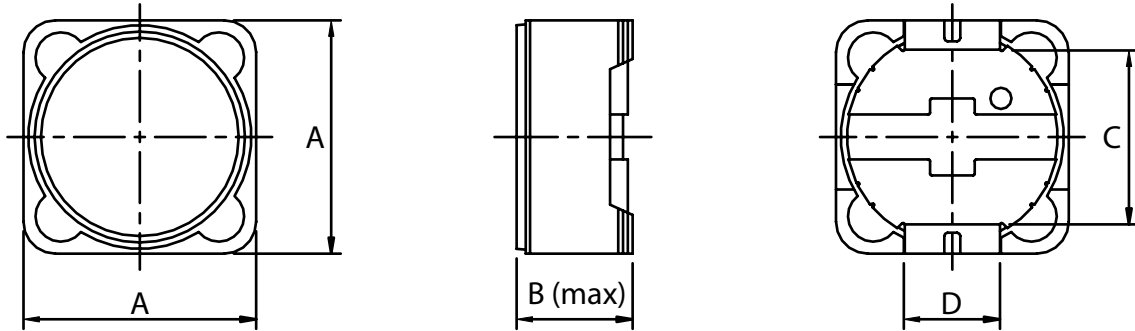
Features :

- Description: SMD (shielded) power inductor.
- Applications: Power supplies for VTR, OA equipment, LCD televisions, PC notebooks, portable communication equipment, DC/DC converters, etc.
- Operating Temperature: -40°C to +125°C
(Including coil's self temperature rise)
- Inductance Tolerance: M = ±20%, N = ±30%
- Testing: Inductance is tested on an HP4284A at 1.0 KHz.
- Rated Current: The DC current at which the inductance decreases to 75% of its nominal value or when $\Delta T=40^{\circ}\text{C}$, whichever is lower ($T_a=20^{\circ}\text{C}$)
- Packaging: Tape & reel.
- Marking: Parts are marked with inductance code.
- Additional info available upon request.



Part Number	Inductance (µH)	@ L Test Freq. (kHz)	DCR max (Ohms)	Rated Current (A)
AXCDRH127-1R2N	1.2	1.0	0.0070	9.80
AXCDRH127-2R4N	2.4	1.0	0.0115	8.00
AXCDRH127-3R5N	3.5	1.0	0.0135	7.50
AXCDRH127-4R7N	4.7	1.0	0.0158	6.80
AXCDRH127-6R1N	6.1	1.0	0.0176	6.60
AXCDRH127-7R6N	7.6	1.0	0.0200	5.90
AXCDRH127-100M	10	1.0	0.0216	5.40
AXCDRH127-120M	12	1.0	0.0243	4.90
AXCDRH127-150M	15	1.0	0.0270	4.50
AXCDRH127-180M	18	1.0	0.0392	3.90
AXCDRH127-220M	22	1.0	0.0432	3.60
AXCDRH127-270M	27	1.0	0.0459	3.40
AXCDRH127-330M	33	1.0	0.0648	3.00
AXCDRH127-390M	39	1.0	0.0729	2.75
AXCDRH127-470M	47	1.0	0.10	2.50
AXCDRH127-560M	56	1.0	0.11	2.35
AXCDRH127-680M	68	1.0	0.14	2.10
AXCDRH127-820M	82	1.0	0.16	1.95
AXCDRH127-101M	100	1.0	0.22	1.70
AXCDRH127-121M	120	1.0	0.25	1.60
AXCDRH127-151M	150	1.0	0.28	1.42
AXCDRH127-181M	180	1.0	0.35	1.30
AXCDRH127-221M	220	1.0	0.39	1.16
AXCDRH127-271M	270	1.0	0.56	1.06
AXCDRH127-331M	330	1.0	0.64	0.95
AXCDRH127-391M	390	1.0	0.70	0.88
AXCDRH127-471M	470	1.0	0.98	0.79
AXCDRH127-561M	560	1.0	1.07	0.73
AXCDRH127-681M	680	1.0	1.46	0.67
AXCDRH127-821M	820	1.0	1.64	0.60
AXCDRH127-102M	1000	1.0	1.82	0.55

Dimensions:



Size	A	B	C	D
mm	12.0 ± 0.5	8 max	7.6 ± 0.2	5 ± 0.2
inches	0.47 ± 0.02	0.314 max	0.3 ± 0.007	0.2 ± 0.007

Land Pattern:

[mm]

