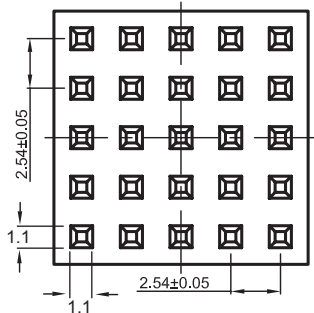
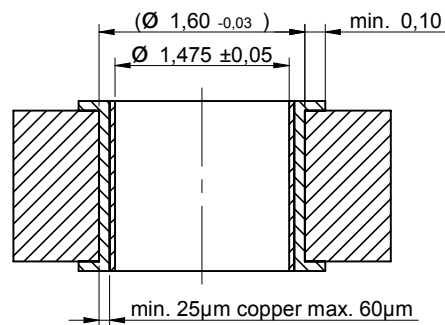


DETAIL B(3:1)  
Dimensions in mm

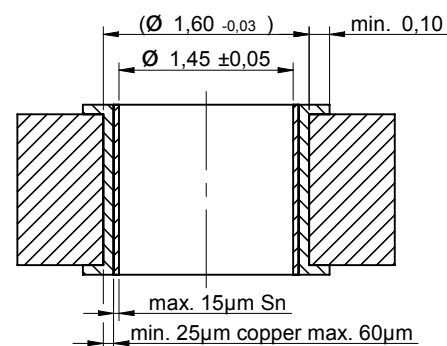


### Drill Hole for PCB

Drill hole specification for chemical surfaces



Drill hole specification for HAL (Hot Air Solder Leveling)



## Specifications

- Rated Current: 250A Max. @20°C
- Material: Brass (C3604)
- Plating: Tin
- Connector Type: Press-Fit
- Operating Temperature: -55°C to +150°C
- Storage Conditions: 0°C to +40°C, < 75% RH
- Tightening Torque: 3.9Nm
- Insertion Force: 40 N per Pin min.
- Extraction Force: 30 N per Pin min.
- PCB Thickness Min: 1.6mm
- PCB Thickness Max: 3.2mm
- Packaging: Bulk

## Part Number

**PFT255-M6P25A250**

General Tolerance	
X. ± 0.50	X.° ± 5°
.X ± 0.20	.X° ± 2°
.XX ± 0.10	.XX° ± 1°
Units : mm	