

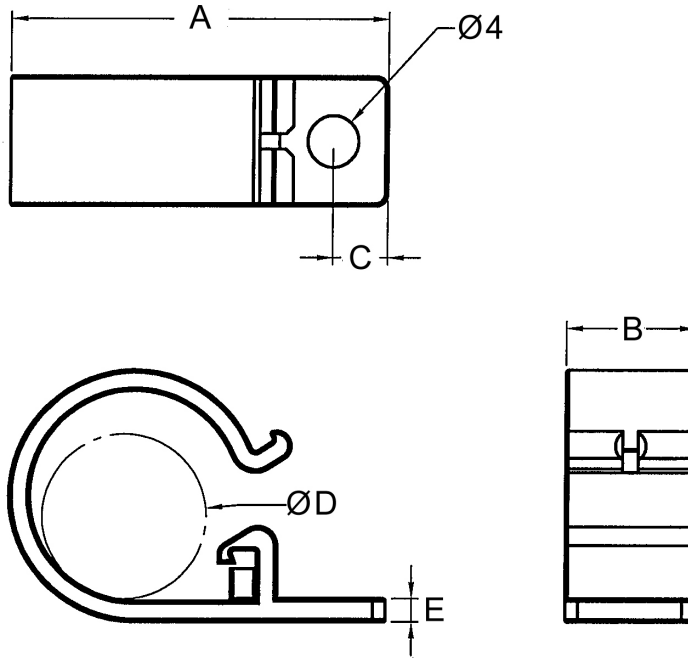
## WHC Series



## Specifications

Material: Nylon 66 (UL)  
 Flame Class: 94V-2  
 Color: Natural

Units: mm



Part Number	A	B	C	D	E	Packaging
WHC-1	29.2	10.0	4.3	12.7	1.8	500
WHC-2	21.0	10.0	6.0	4.6	1.2	
WHC-3	39.6	12.7	4.2	21.0	2.0	
WHC-4	50.0	12.7	4.3	29.5	2.2	

QMF22 Component - Plastics Wednesda

E41938

E I DUPONT DE NEMOURS & CO INC

ENGINEERING POLYMERS CHESTNUT RUN PLAZA PO BOX 80713 WILMINGTON DE 19880

Material Designation: 101(+)(f1), 101F(+)(f1), 101L(+)(f1), E101(+)(f1), E101L(f1), 132F(+)(f1), 135F(+)(f1)

Product Description: Polyamide 66 (PA66), designated "Zytel" furnished as pellets.

Color	Min. Thiek. (mm)	Flame Class	HWI	HAI	RTI Elec	RTI Imp	RTI Str	IEC GWIT	IEC GWPI
ALL	0.71	V-2	4	0	130	75	85	725	960
	1.5	V-2	3	0	130	75	85	750	960
	3	V-2	2	0	130	75	85	800	960
	6	V-2	2	0	130	75	85	800	960

CTI: 0

HVTR: 0

D495: 6

IEC Ball

Pressure (C): -

Dimensional

Stability(2): -

ISO Heat

Deflection (C):

ISO Charpy

Impact (kJ/m<sup>2</sup>):

Strength

(kN/mm): 13

ISO Tensile

Strength (MPa):

ISO Tensile

Impact (kJ/m<sup>2</sup>):

ISO Izod Impact (kJ/m<sup>2</sup>): -

Volume Resistivity (10<sup>12</sup>ohm-cm): 14

ISO Flexural Strength (MPa): -

(+) Virgin and regrind up to 50% by weight inclusive, have the same basic material characteristics.

(f1) Suitable for outdoor use with respect to exposure to Ultraviolet Light, Water Exposure and Immersion in accordance with UL 746C.

NOTE (1) Material designations that are color pigmented may be followed by suffix letters and numbers. (2) Material designations may be prefixed by "ZYT" or "MIN" or "ZEN" or "DEL" or "CRA" or "RYN".

Report Date: 7/29/1996

Underwriters Laboratories Inc©

UL94 small-scale test data does not pertain to building materials, furnishings and related contents. UL 94 small-scale test data is intended solely for determining the flammability of plastic materials used in components and parts of end-product devices and appliances, where the acceptability of the combination is determined