

# BLOCK Contact

YC377-508-100083 Series  
5.08mm (0.2") Pitch  
PCB Terminal Block

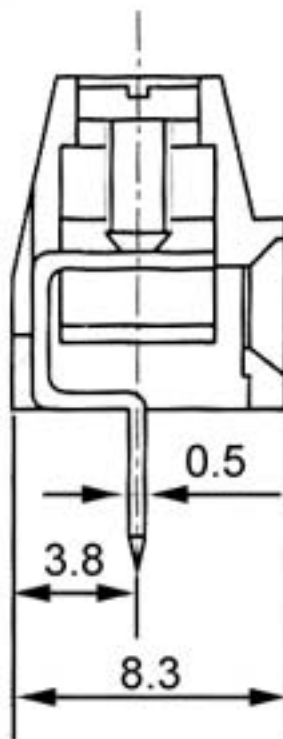
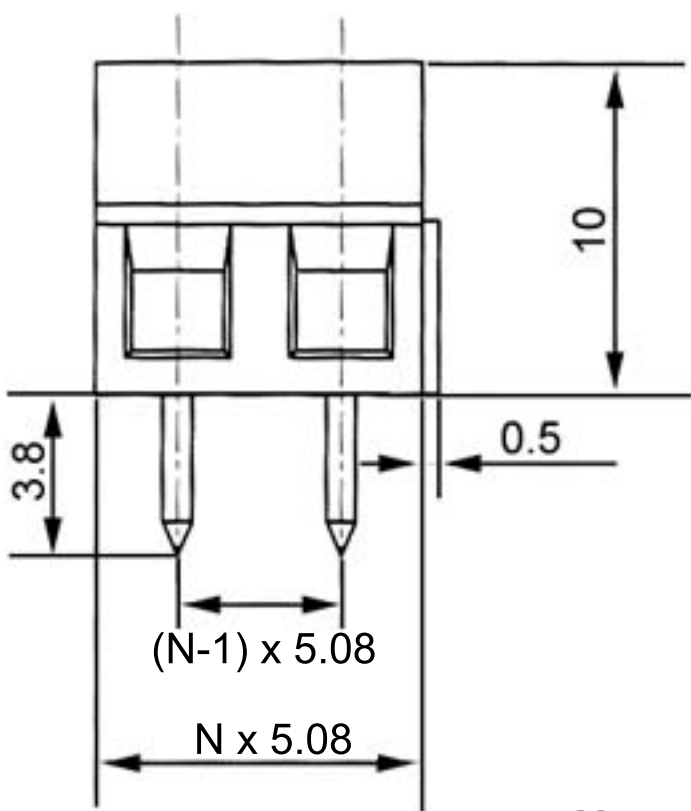
RoHS



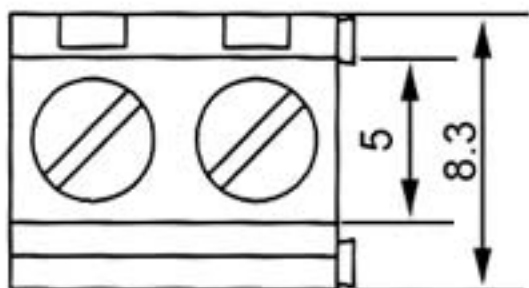
**Material**  
Screw : M3, steel, Zinc-plated  
Contact: Phosphor bronze, Ni-plated or Stainless steel  
Housing : PA66, UL94V-0

**Electrical**  
Rated Voltage : 300V  
Rated Current : 16A  
Withstand Voltage : AC1500V/1Min  
Nominal Cross Section : 1.5mm<sup>2</sup>

**Mechanical**  
Temp. Range : -40°C/+130°C  
Max Soldering : +260°C 5Sec.  
Torque : 0.5Nm (4.5lb.in)  
Strip Length : 5-6mm



How to order:



YC377-508-100083 - xxP - xxx - C

Series

Color:

BLU = Blue

BLK = Black

GRN = Green

No. of Contact