

Contacts	Dimension mm		
	A	B	C
09	16.92	24.99	30.81
15	25.25	33.32	39.14
25	38.96	47.04	53.04
37	55.42	63.50	69.32

General Tolerance	
X. ± 0.50	X.° $\pm 5^\circ$
.X ± 0.20	.X° $\pm 2^\circ$
.XX ± 0.10	.XX° $\pm 1^\circ$
Units : mm	

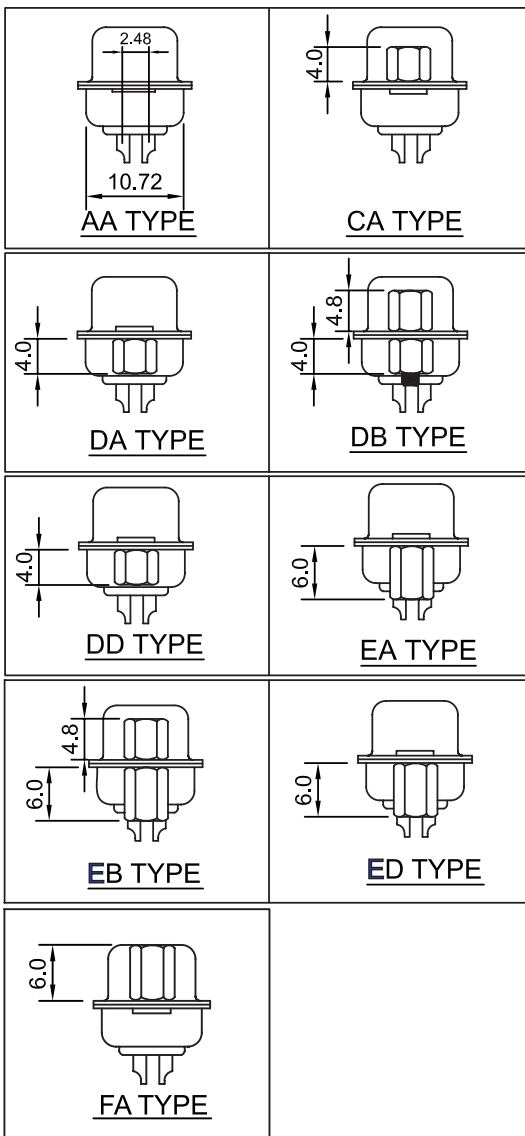
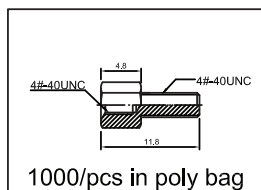
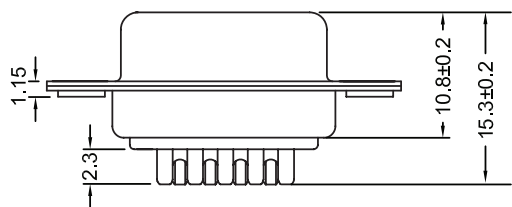
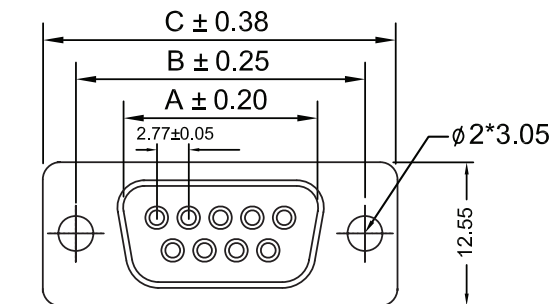
Specifications

Current Rating: 5 Amp
 Operating Temp.: $-55^\circ\text{C} \sim +105^\circ\text{C}$
 Dielectric Strength : 1000V AC/min
 Insulation Resistance: 1000M Ω Min. at 500V DC
 Contact Resistance: 30 million hms Max.
 Insulator Material: PBT+30% Glass Fiber (UL94V-0)
 Contact: Brass
 Contact Plated: Selective Gold Flash (Standard)
 Shell: Steel, Nickel Plated (Standard)
 Screw: Brass, Nickel Plated

Part Numbering System

DS01 - XX M X X X X X

Series _____
Contact Number: _____
 09 15 25 37
Contact Type: _____
 M = Male
Contact Plating: _____
 G = Gold Flash
 S = Selective Gold Flash (Standard)
Shell Plating: _____
 N = Nickel (Standard)
Process Option: _____
 A = Through Hole
 C = Riveted 4.0mm Open Hex Nut (Front)
 D = Riveted 4.0mm Open Hex Nut (Rear)
 E = Riveted 6.0mm Open Hex Nut (Rear)
 F = Riveted 6.0mm Open Hex Nut (Front)
Parts Option: _____
 A = No Accessories
 B = Fixed 4.8mm x 11.8mm Jack Screws
 D = Loose Jack Screws 4.8x11.8mm in Bag (1000pcs)
Insulator Color: _____
 1 = White
 2 = Blue
 3 = Black



Contacts	Dimension mm		
	A	B	C
09	16.33	24.99	30.81
15	25.25	33.32	39.14
25	38.38	47.04	53.04
37	54.84	63.50	69.32

General Tolerance	
X. ± 0.50	X.° ± 5°
.X ± 0.20	.X° ± 2°
.XX ± 0.10	.XX° ± 1°
Units : mm	

Specifications

Current Rating: 5 Amp
 Operating Temp.: -55°C ~ +105°C
 Dielectric Strength : 1000V AC/min
 Insulation Resistance: 1000MΩ Min. at 500V DC
 Contact Resistance: 30 million hms Max.
 Insulator Material: PBT+30% Glass Fiber (UL94V-0)
 Contact: Brass
 Contact Plated: Selective Gold Flash (Standard)
 Shell: Steel, Nickel Plated (Standard)
 Screw: Brass, Nickel Plated

Part Numbering System

DS01 - XX F X X X X X

Series _____

Contact Number: _____
09 15 25 37

Contact Type: _____
F = Female

Contact Plating: _____
G = Gold Flash
S = Selective Gold Flash (Standard)

Shell Plating: _____
N = Nickel

Process Option: _____
A = Through Hole
C = Riveted 4.0mm Open Hex Nut (Front)
D = Riveted 4.0mm Open Hex Nut (Rear)
E = Riveted 6.0mm Open Hex Nut (Rear)
F = Riveted 6.0mm Open Hex Nut (Front)

Parts Option: _____
A = No Accessories
B = Fixed 4.8mm x 11.8mm Jack Screws
D = Loose Jack Screws 4.8x11.8mm in Bag (1000pcs)

Insulator Color: _____
1 = White
2 = Blue
3 = Black