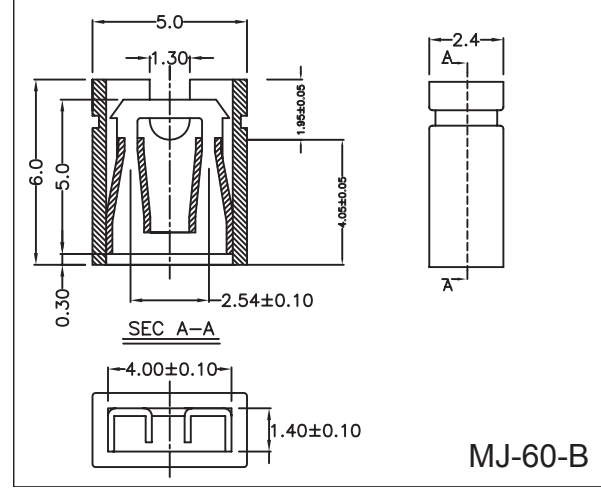
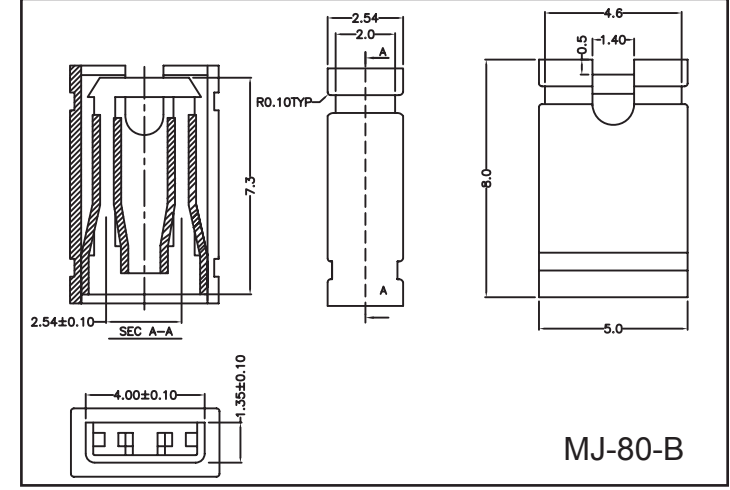


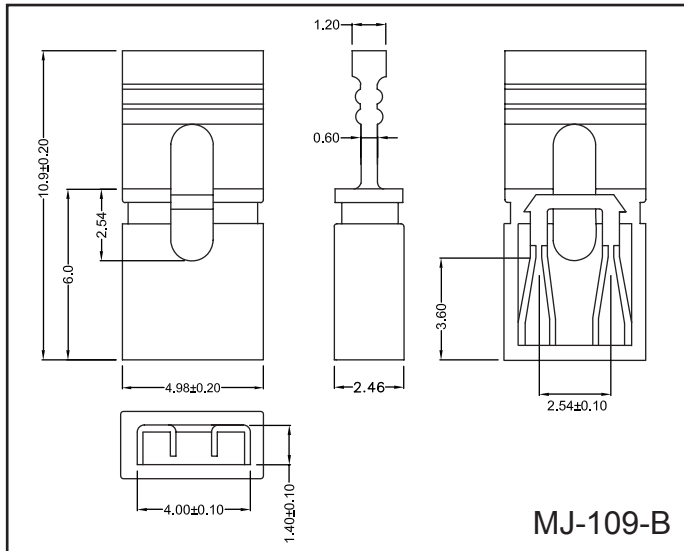
MJ-45-B



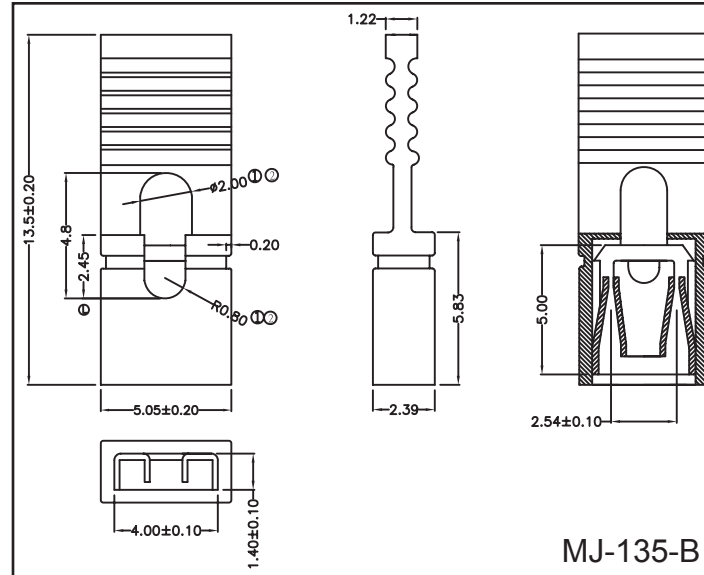
MJ-60-B



MJ-80-B



MJ-109-B



MJ-135-B

Part Numbering System

MJ - XXX - B - XXX

Series

Insulator Height:

- 45 = 4.5mm
- 60 = 6.0mm
- 80 = 8.0mm
- 109 = 10.9mm
- 135 = 13.5mm

Insulator Type:

B = Open Type

Insulator Color:

- Nil = Black
- BLU = Blue
- GRN = Green
- PUR = Purple
- RED = Red
- WHT = White
- YEL = Yellow

Specifications

- Current Rating: 3 Amp.
- Dielectric Strength: 1000V AC
- Insulator Resistance: 1000M ohms Min.
- Contact Resistance: 20m ohms Min.
- Operation Temperature: -55°C to +105°C
- Insulator: PBT+ 25% Glass Fiber UL-94V-0
Nylon 66 (for MJ-135)
- Contact: Phosphor Bronze
- Contact Plating: Gold / Nickel Plated