

### FEATURES:

- Sharp click feel with a positive tactile feedback.
- Ultraminiature and light weight structure suitable for high density mounting. Economic but high reliability.
- Insert molding in the contact with special treatment prevents flux build-up during soldering and permits auto-dipping.

### MATERIAL:

- Cover: Nickel Silver
- Base: UL94V-0 Nylon High - Temp. Thermoplastic.  
Color: Black
- Stem: UL94V-0 Nylon High - Temp. Thermoplastic.  
Color: Brown(160gf), Blue (180gf or 250gf),  
Red(260gf)
- Contact Disc: Stainless with silver cladding.
- Terminal: Brass with silver plated.
- Tape: Teflon.

### SPECIFICATION

#### MECHANICAL

- Operation Force:
  - 160 ± 50gf Brown (N)
  - 180 ± 50gf Blue (B)
  - 250 ± 50gf Blue (U)
  - 260 ± 50gf Red (R)
- Stroke: 0.25 +0.2mm / -0.1mm
- Operation Temperature Range: -25°C to +70°C
- Storage Temperature Range: -30°C to +80°C
- Vibration Test: MIL-STFD-202F METHOD 201A.  
Frequency: 10-55-10Hz/1 minute  
Directions: X,Y,Z, three mutually perpendicular directions.  
Time: 2 hours each direction.  
High reliability.
- Shock Test: MIL-STD-202F METHOD 213B  
CONDITION A.  
Gravity: 50G (peak value), 11 msec  
Direction and times: 6 sides and 3 times in each direction.  
High reliability.

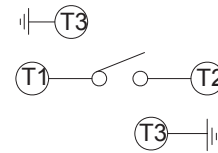
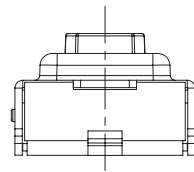
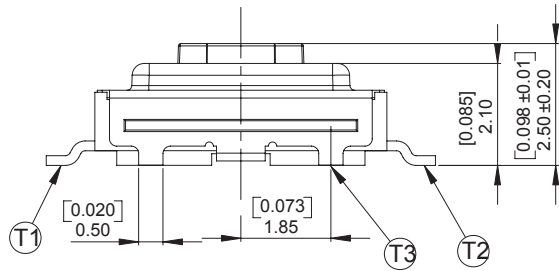
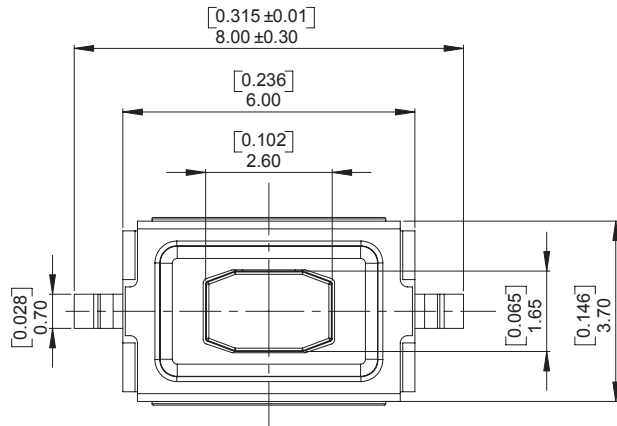
#### ELECTRICAL

- Electrical Life: 50 000 cycles
- Rating: 50mA, 12VDC.
- Contact Resistance: 100mΩ max.
- Insulation Resistance: 100MΩmin. at 500VDC.
- Dielectric Strength: 250VAC/1 minute.
- Contact Arrangement 1 pole 1 throw

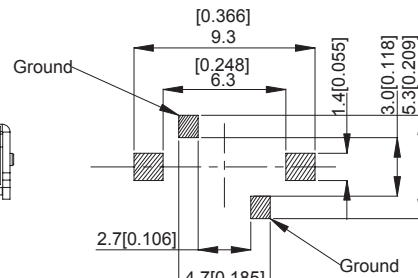
### Packaging:

Part Number	Number Per Reel
STT3760MG-□25	3000
STT3760JG-□25	3000
STT3760J-□25	3000

### STT3760MG-□25

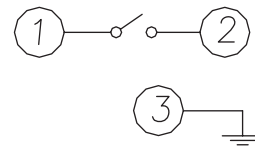
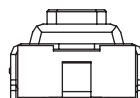
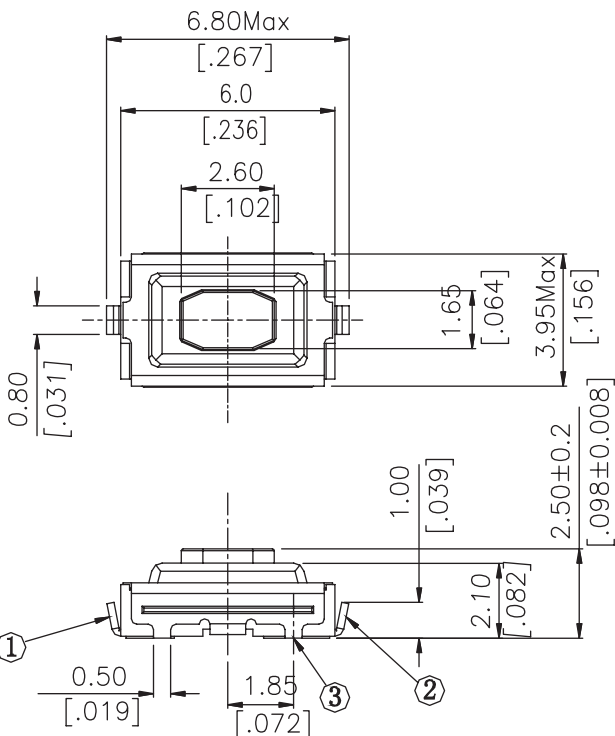


CIRCUIT DIAGRAM

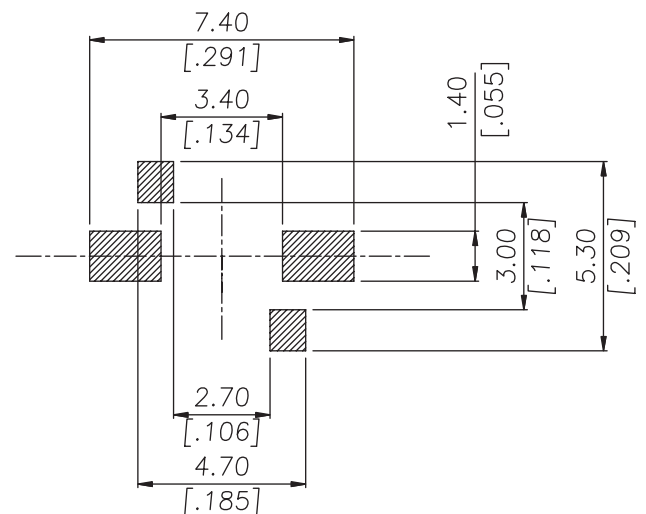


P.C.B. LAYOUT

### STT3760JG-□25

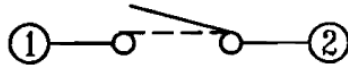


CIRCUIT DIAGRAM

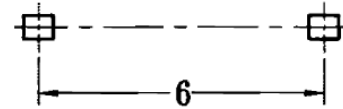


P.C.B. LAYOUT

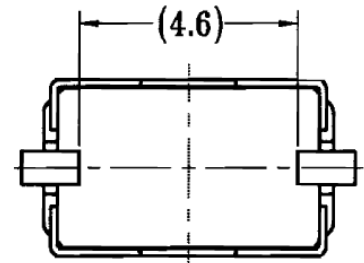
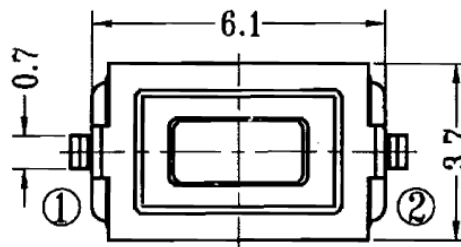
STT3760J-□25



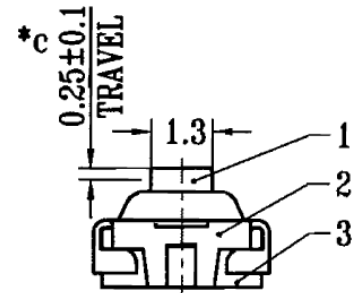
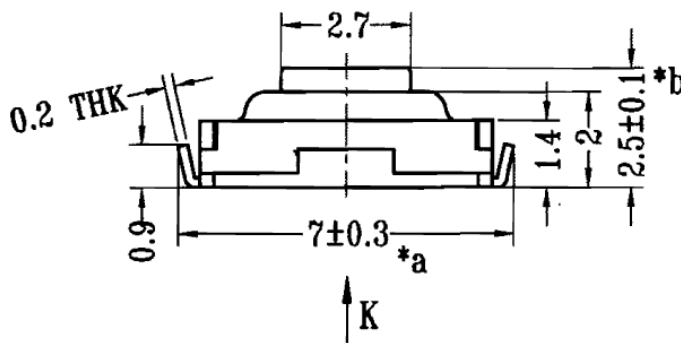
SCHEMATIC



P.C.B. LAYOUT  
TOP VIEW

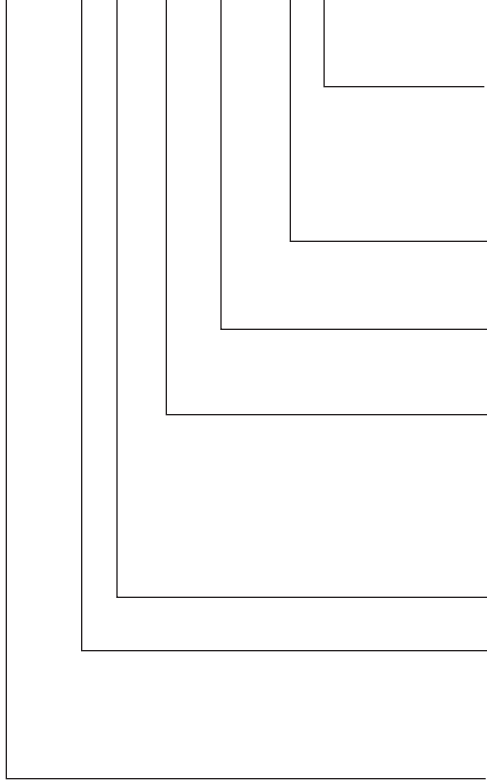


VIEW K



### HOW TO ORDER:

STT3760 □ G - □ □ - □ □



Package Style:

B = Tube

T/R = Tape & Reel

Soldering:

R = Lead Free Solderable

Height:

25 = 2.5mm

Operating Force:

N = Brown, 160gf

B = Blue, 180gf (for J Bend without Ground Terminal only)

U = Blue, 250gf (for J Bend without Ground Terminal only)

R = Red, 260gf

G = With Ground Terminal

Termination Type:

M = Gull Wing

J = J Bend

Series

### Soldering Process

▲ Hand Soldering : Use a soldering iron of 30 watts, controlled at 320° approximatly 2 seconds while applying solder.

▲ Reflow Soldering : When applying reflow soldering, the peak temperature or the reflow oven should be set at 260°C Max.

