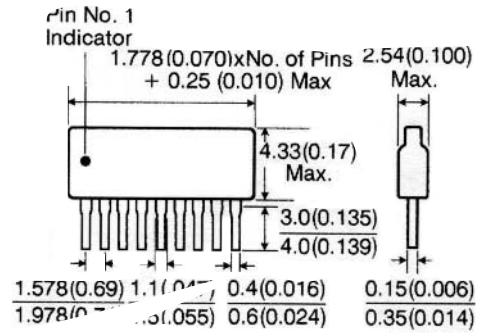


FEATURES

- Wide resistance range: 22 ~1M (10 ~22 by special order)
- Miniature package with minimum installed height of 0.2" (5.08mm)
- Highly stable thick film products.
- Products protected by tough epoxy conformal coating.
- Reduces total assembly cost.
- Mixed value resistance available.
- Super low profile package with close pin placement.

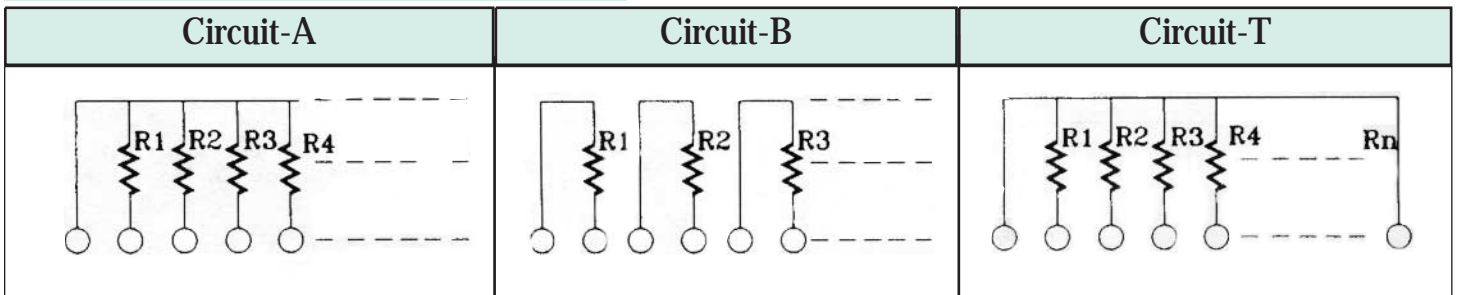


Dimensions in mm(inches)

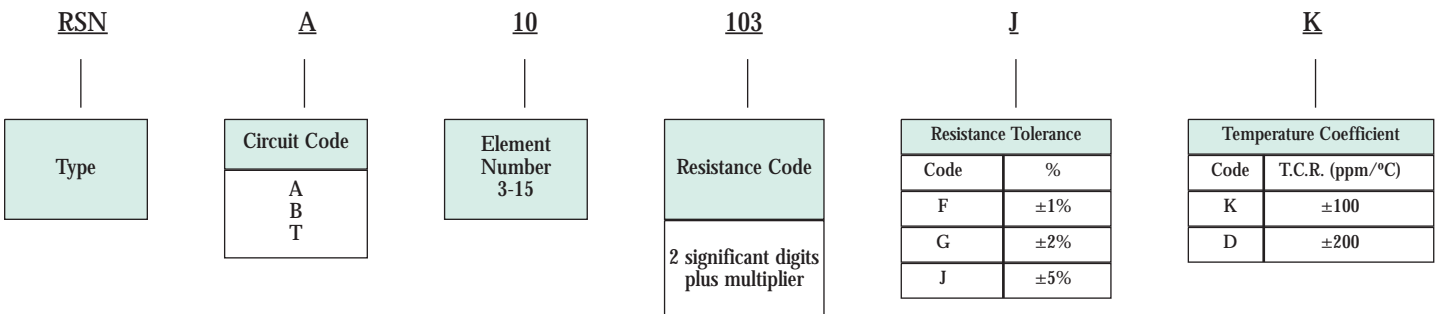
SPECIFICATIONS

Type	Circuit	Rated Power/Element	Max. Working Voltage	Max. Overload Voltage	Resistance Tolerances & Values			Resistance Range	Number of Pins	Number of Elements
		Watts	Volts	Volts	Code	%	Values			
RSN	A	0.100	100	150	F	±1%	E96	22-1M	6-15	5-14
	B	0.125			G	±2%	E24		6-16	3-8
	T	0.100			J	±5%	E24		6-14	4-12

CIRCUIT CONFIGURATIONS

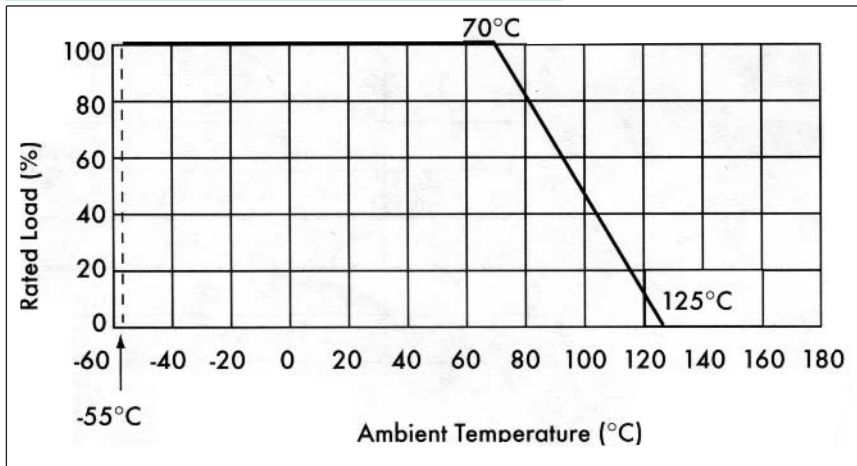


Part Numbering System





DERATING CURVE



ENVIRONMENTAL PERFORMANCE

Description	Specification Limits	Test Methods
Temperature Coefficient	± 200 ppm/°C max.	MIL-R-83401 4.6.8
Short Time Overload	$\pm(1\%+0.05)$ max.	MIL-R-83401 4.6.10
Resistance to Soldering Heat	$\pm(1\%+0.05)$ max.	MIL-R-83401 4.6.14
Solderability	95% coverage min.	MIL-R-83401 4.6.6
Terminal Strength	$\pm(1\%+0.05)$ max.	MIL-R-83401 4.6.11
Insulation Resistance	10,000 M Ω min.	MIL-R-83401 4.6.13
Load Life	$\pm(2\%+0.1)$ max.	MIL-R-83401 4.6.18
Load Life in Humidity	$\pm(2\%+0.1)$ max.	MIL-R-83401 4.6.15
Temperature Cycling	$\pm(2\%+0.05)$ max.	MIL-R-83401 4.6.3

MARKING

